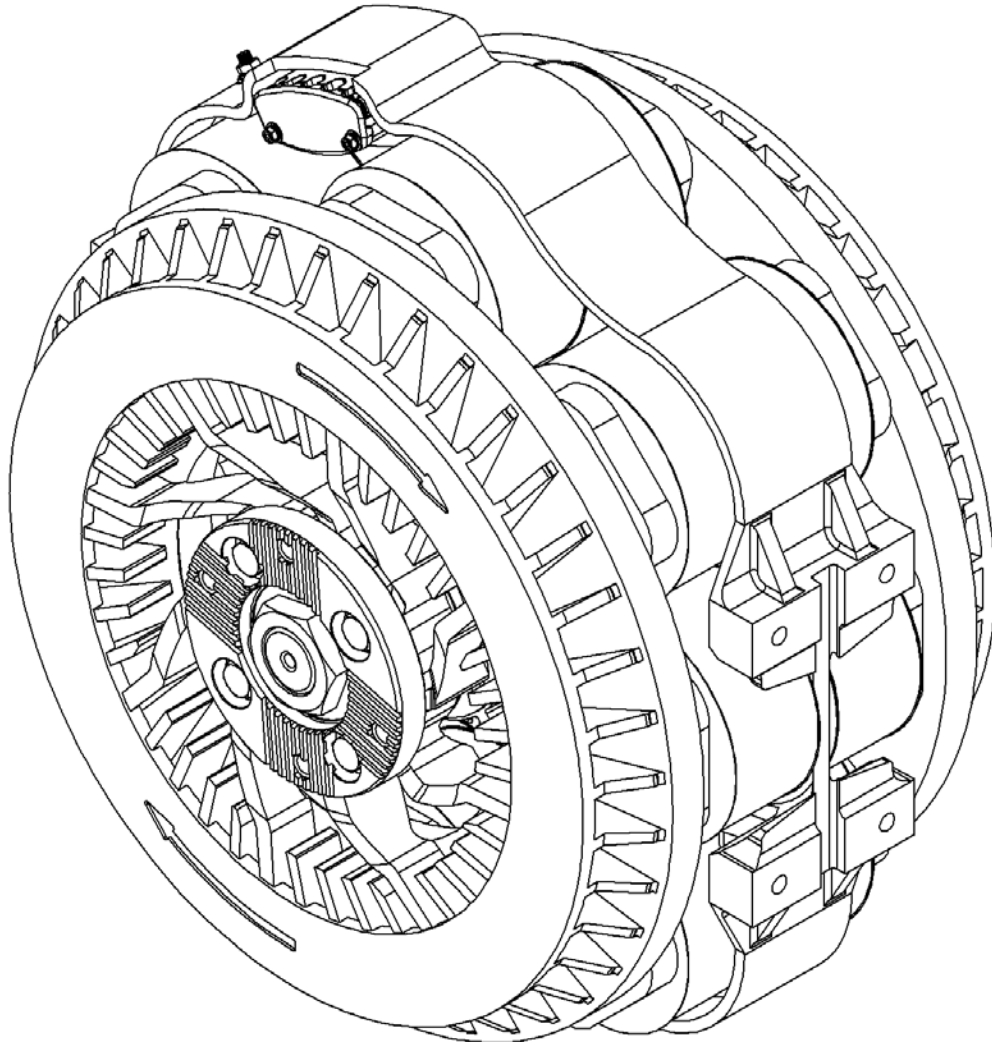




Produced by Industrias Zelu

CFK-390 MODEL TECHNICAL SPECIFICATIONS



DRIVELINE RETARDER CFK-390



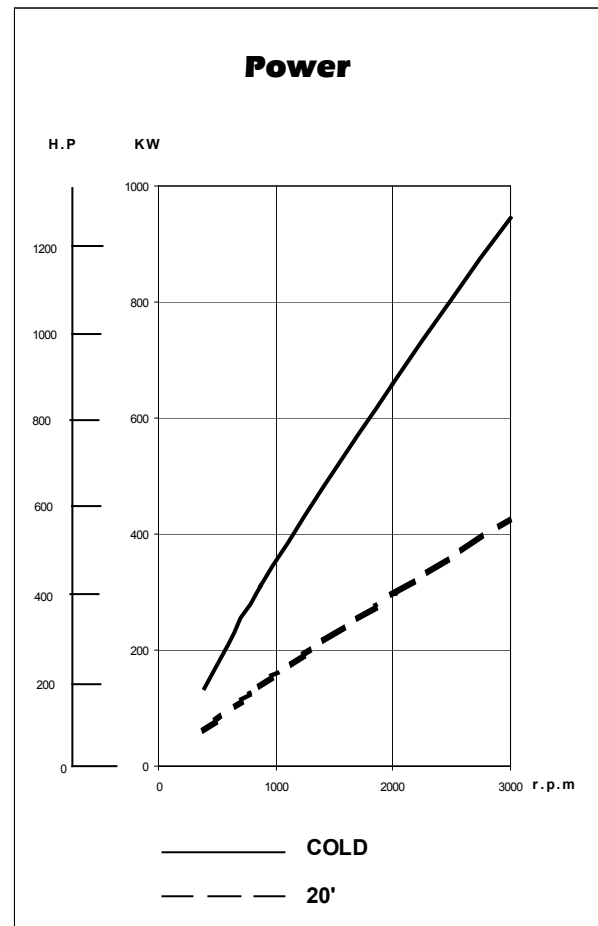
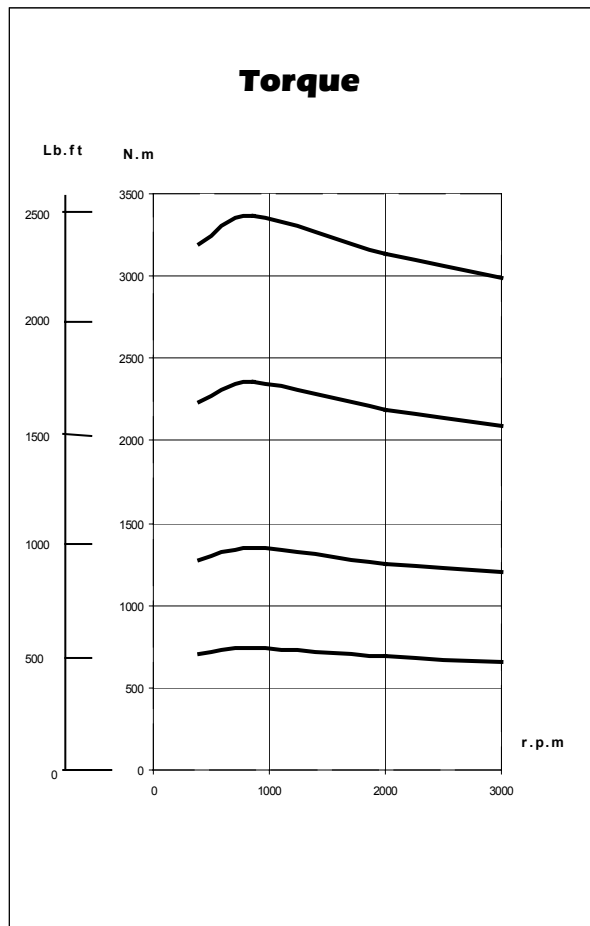
Produced by Industrias Zelu

CFK-390 MODEL TECHNICAL SPECIFICATIONS

• SPECIFICATIONS

Application Range (GVW) (t / lb)		24 to 44 / 52900 to 97000
Maximum braking torque	12V	---- Nm / ---- lb-ft
	24V	3370 Nm / 2487 lb-ft
WEIGHT (no brackets)	Complete	381 Kg / 1003 lb
	Stator	255 Kg / 725 lb
	Rotors	126 Kg / 278 lb
Rotors Inertia		4.74 Kgm ² / 113 lb-ft ²
Maximum transmissible torque (Nm)		31600 Nm / 23331 lb-ft
Max. admissible R.P.M. (min ⁻¹)	Constant	2600
	Periodic	3600
Air-gap regulation (±0.1 mm / ±0.0039 inch)		1.4 mm / 0.0551 inch

• PERFORMANCE CURVES



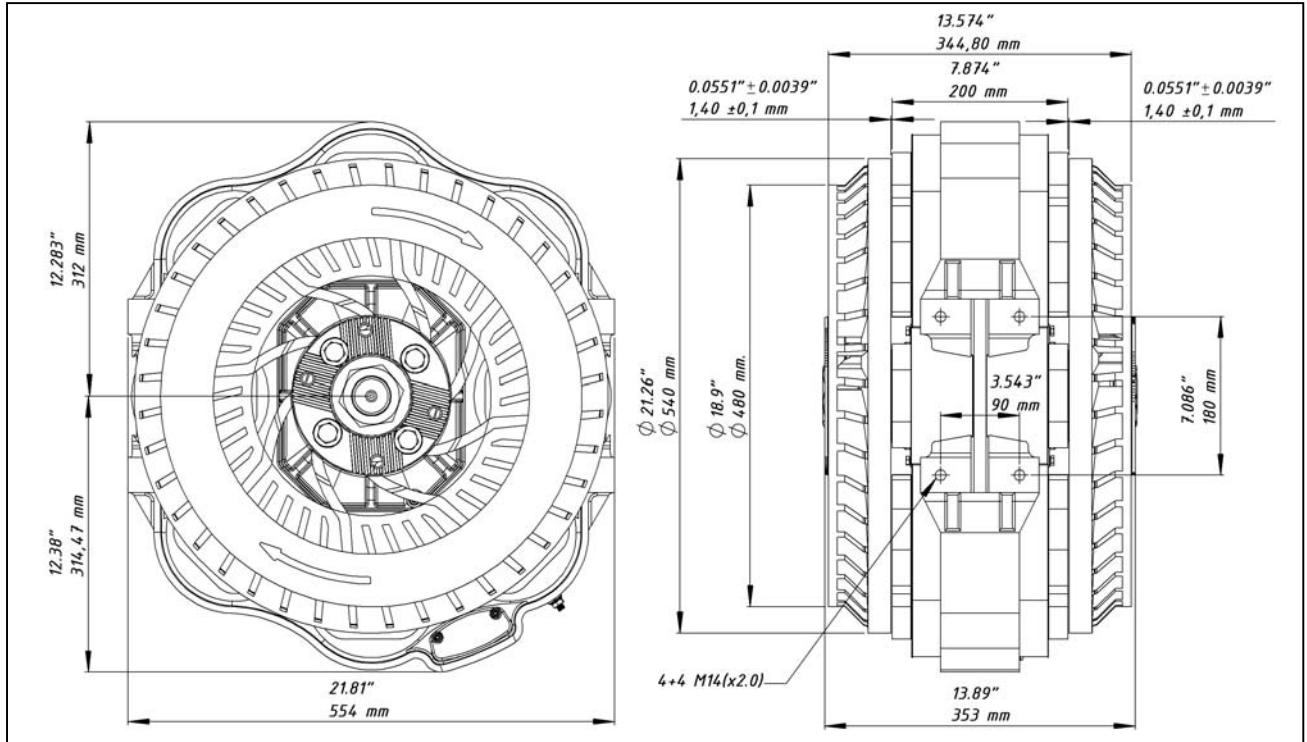


Retarders for the World

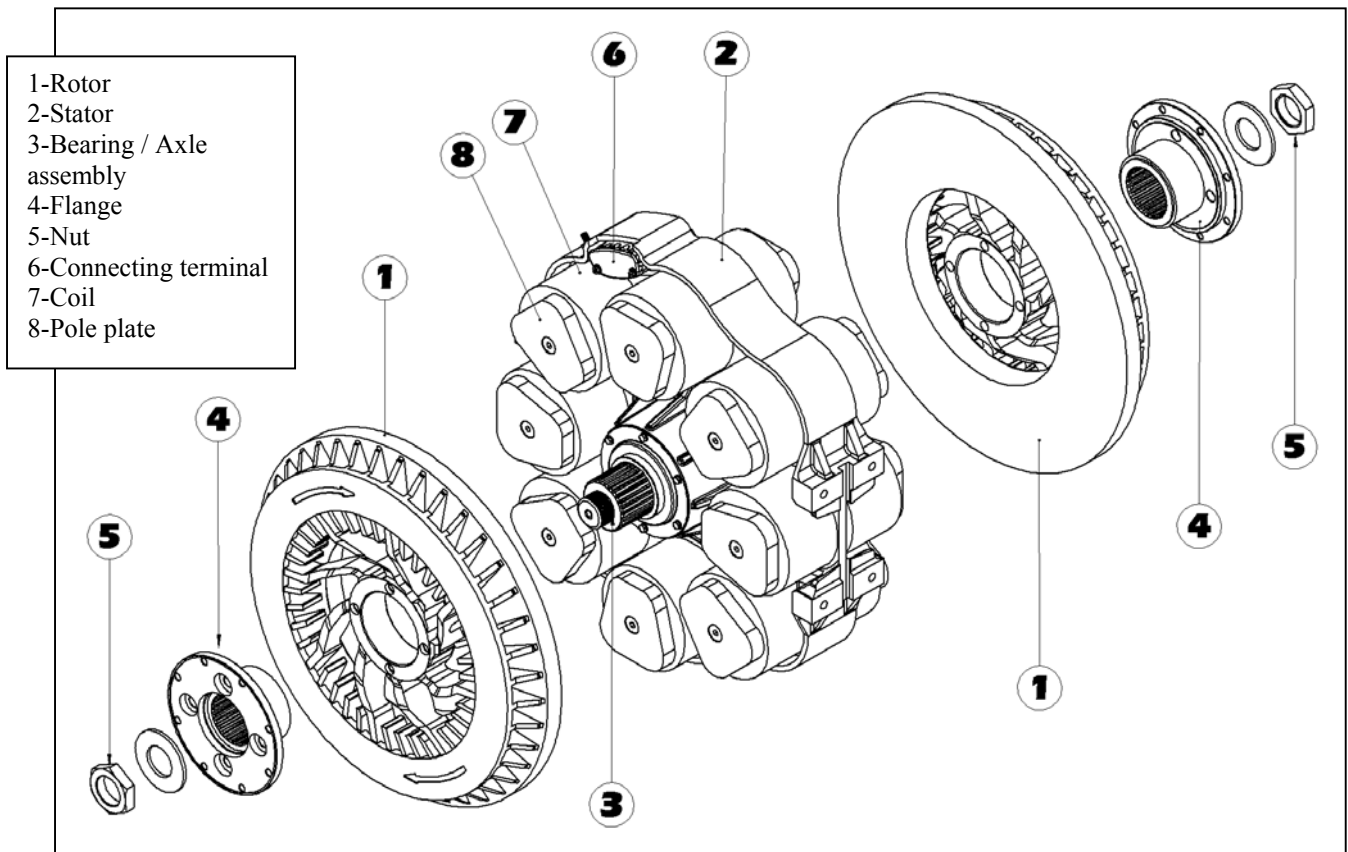
Produced by Industrias Zelu

CFK-390 MODEL DIMENSIONS

• DIMENSIONS



• MAIN COMPONENTS





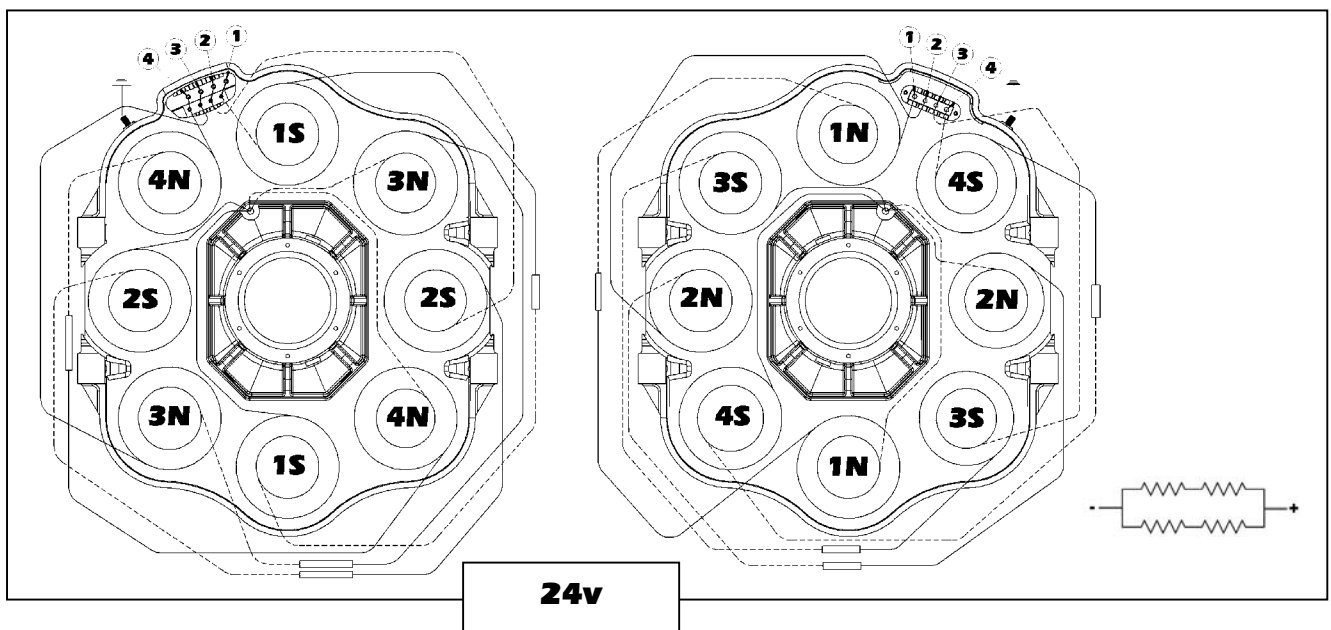
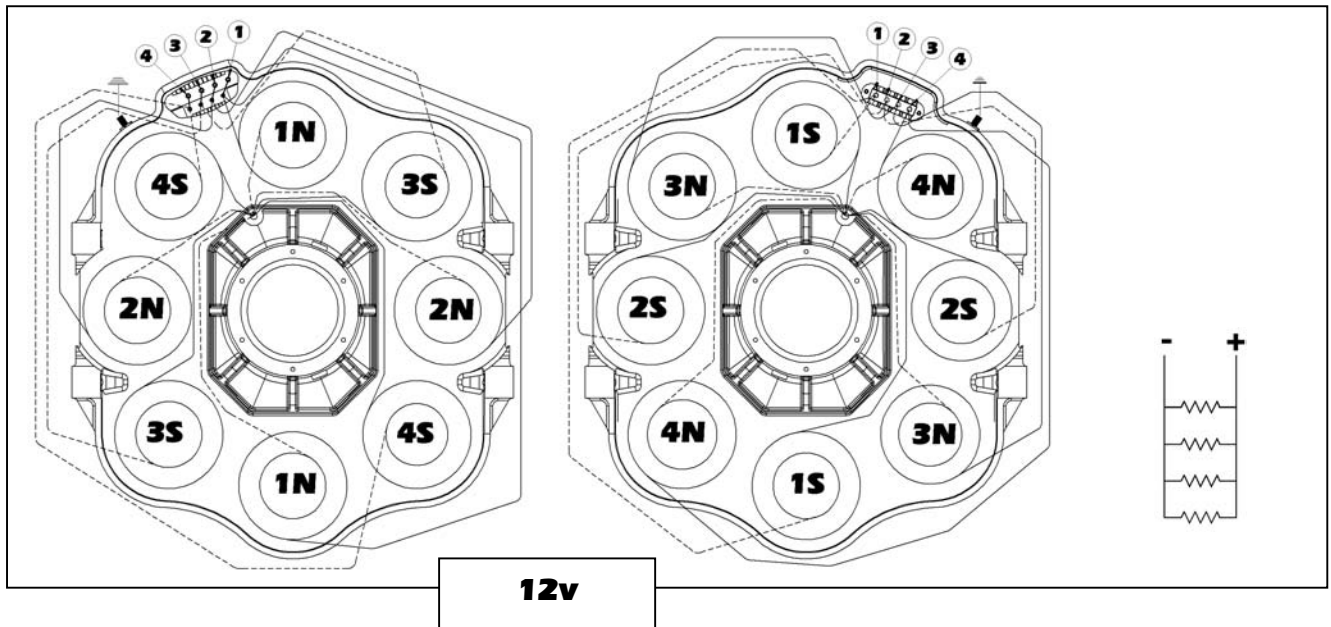
Produced by Industrias Zelu

CFK-390 MODEL ELECTRICAL SPECIFICATIONS

• ELECTRICAL SPECIFICATIONS

Voltage (depending on vehicle equipment)	12 V	24 V
Resistance per circuit (Ω) $\pm 5\%$ (20°C)	----	0.63
Resistance per coil (Ω) $\pm 5\%$ (20°C)	----	0.63
Consumption per circuit (A) $\pm 5\%$ (20°C)	----	38
Insulation resistance (M Ω)	1	

• INTERNAL WIRING DIAGRAM



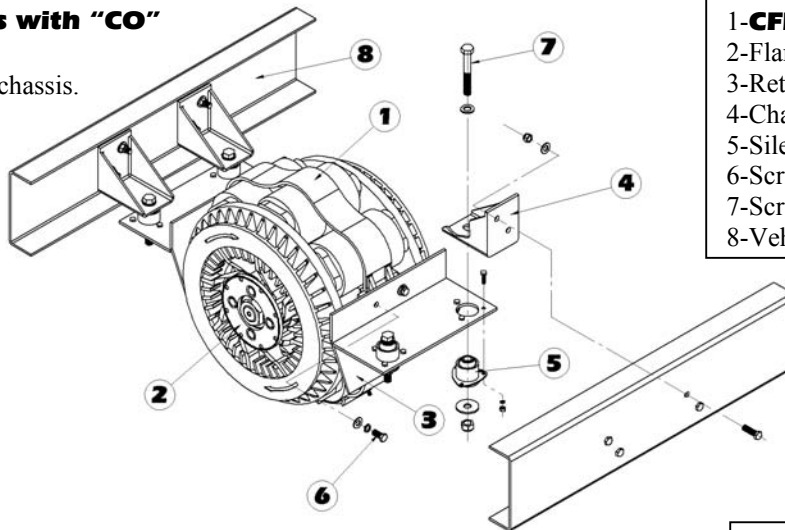


Produced by Industrias Zelu

CFK-390 MODEL BRACKET OPTION

Internal brackets with "CO" Silentblock.

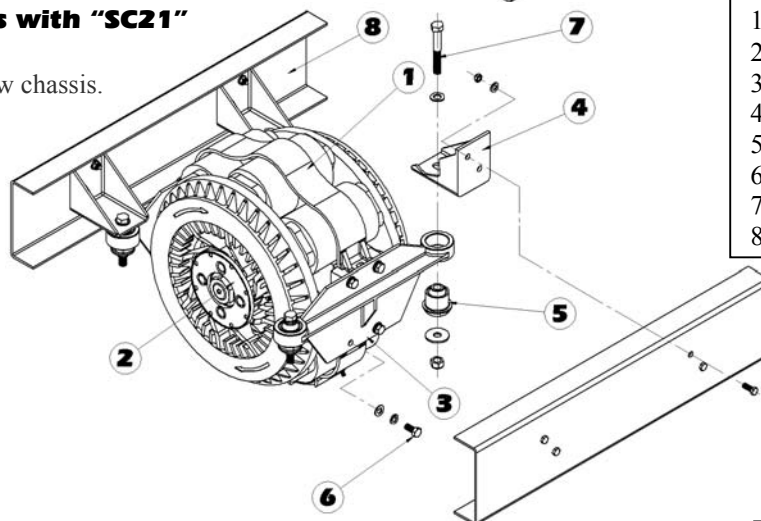
Usually used in wide chassis.



- 1-CFK-390.
- 2-Flange.
- 3-Retarder bracket (2 uni.)
- 4-Chassis bracket (4 uni.)
- 5-Silentblock "CO" (4 uni.)
- 6-Screw M14 120 Nm \pm 5%
- 7-Screw M18(x1.5) 290 Nm \pm 5%
- 8-Vehicle chassis.

Internal brackets with "SC21" Silentblock.

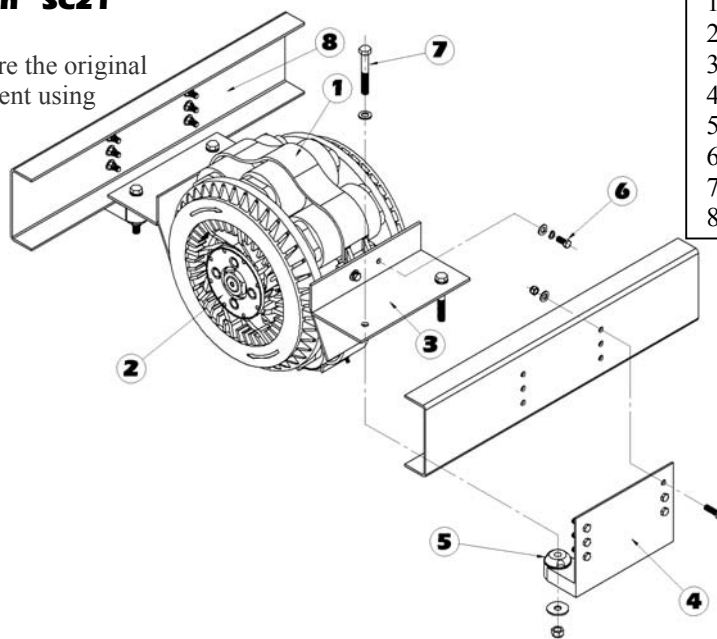
Usually used in narrow chassis.



- 1-CFK-390.
- 2-Flange.
- 3-Retarder bracket (2 uni.)
- 4-Chassis bracket (4 uni.)
- 5-Silentblock "SC21" (4 uni.)
- 6-Screw M14 120 Nm \pm 5%
- 7- Screw M18(x1.5) 290 Nm \pm 5%
- 8-Vehicle chassis.

External brackets with "SC21" Silentblock.

Usually used in chassis where the original elements of the vehicle prevent using the previous mentioned.



- 1-CFK-390.
- 2-Flange.
- 3-Retarder bracket (2 uni.)
- 4-External Chassis bracket (2 uni.)
- 5-Silentblock "SC21" (4 uni.)
- 6-Screw M14 120 Nm \pm 5%
- 7- Screw M18(x1.5) 290 Nm \pm 5%
- 8-Vehicle chassis.



Produced by Industrias Zelu

INDUSTRIAS ZELU S.L.

Ctra. de Irún Km 6,5
31194 ARRE (Navarra) SPAIN

☎ ++ 34 - 948 33 11 01 ☆ **FAX** ++ 34 - 948 33 11 51

e-mail: industrias@zelusl.com
Visit our Website: www.zelusl.com

This space is reserved for our dealers