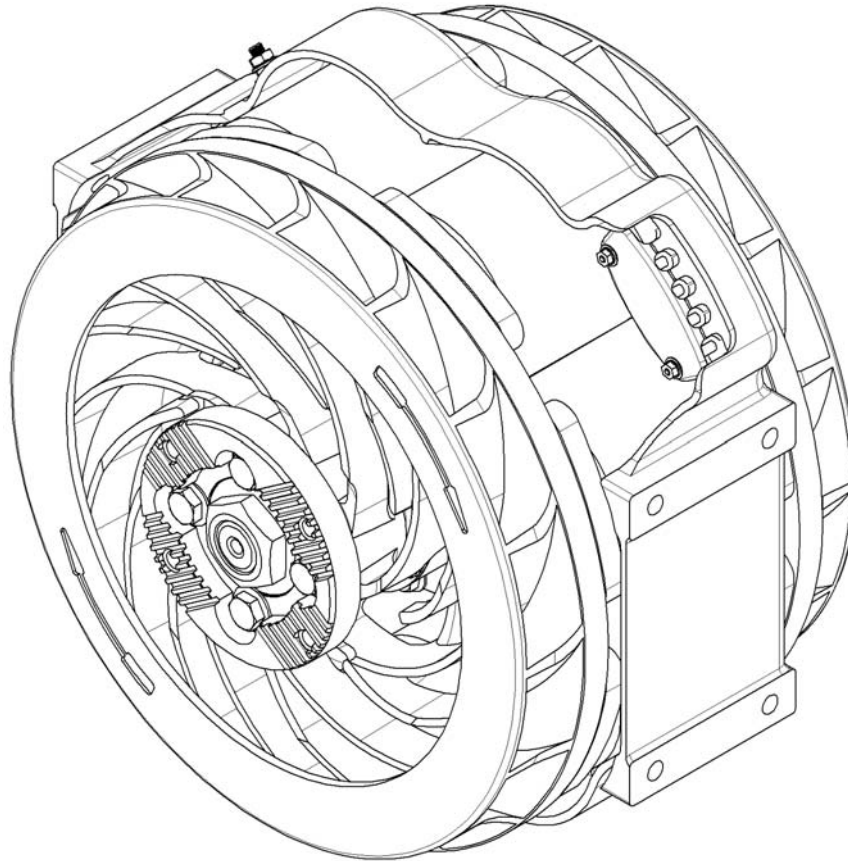




Produced by Industrias Zelu

CFK-140 MODEL TECHNICAL SPECIFICATIONS



DRIVELINE RETARDER

CFK-140



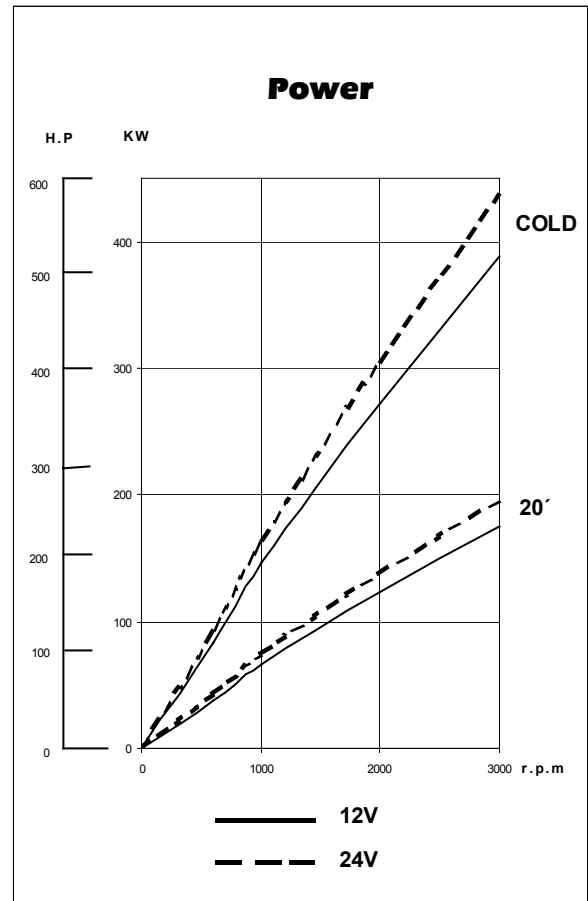
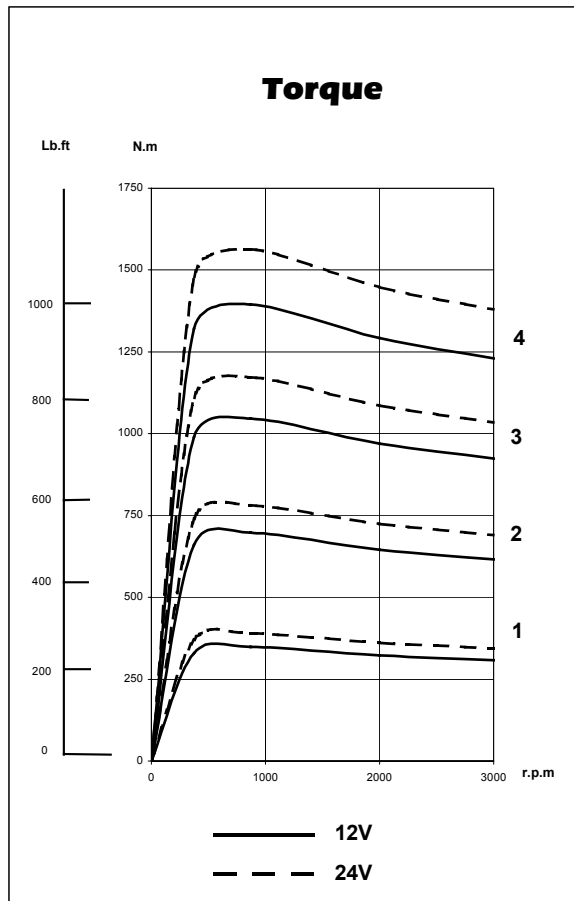
Produced by Industrias Zelu

CFK-140 MODEL TECHNICAL SPECIFICATIONS

• SPECIFICATIONS

Application Range (GVW) (t / lb)		10 – 15 / 22000 - 33000
Maximum braking torque	12V	1400 Nm / 1033 lb-ft
	24V	1570 Nm / 1160 lb-ft
WEIGHT (no brackets)	Complete	180 Kg / 397 lb
	Stator	130 Kg / 287 lb
	Rotors	50 Kg / 110 lb
Rotors Inertia		1.68 Kgm ² / 40 lb-ft ²
Maximum transmissible torque		12800 Nm / 9446 lb-ft
Max. admissible R.P.M. (min ⁻¹)	Constant	3200
	Periodic	4300
Air-gap regulation (±0.1 mm / 0.0039 inch)		1.2 mm / 0.0472 inch

• PERFORMANCE CURVES

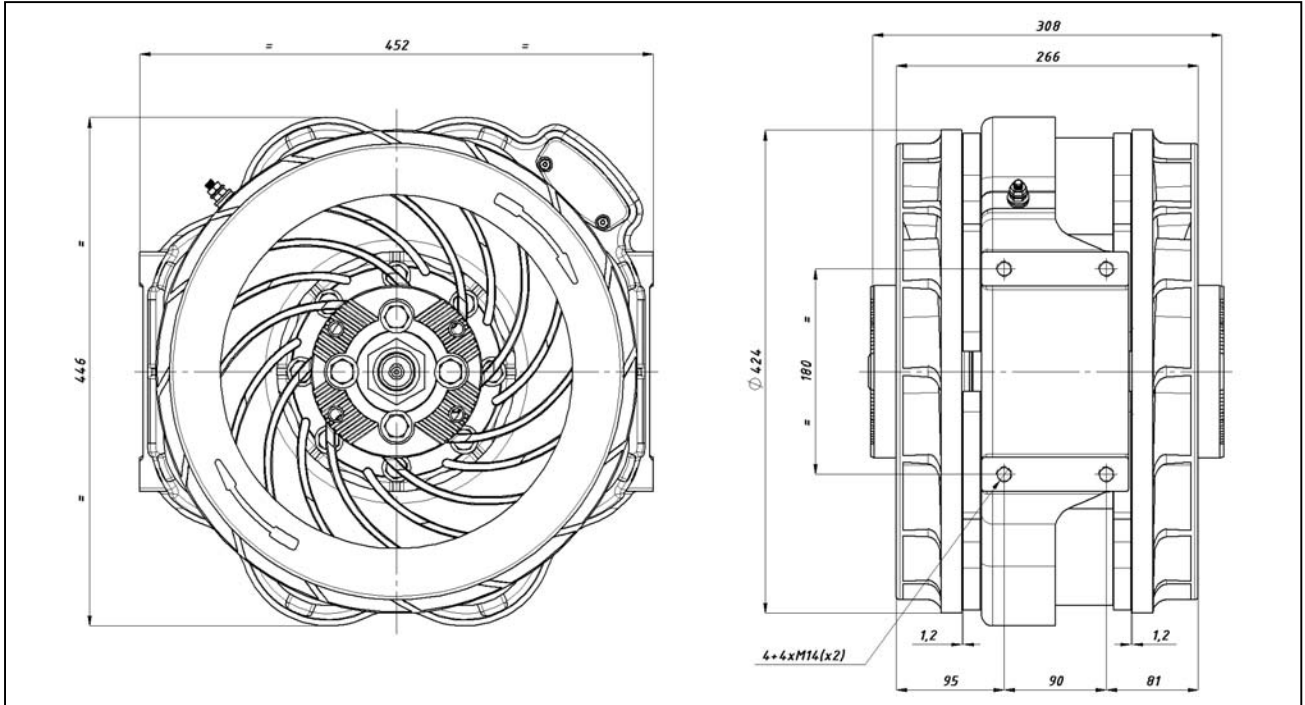




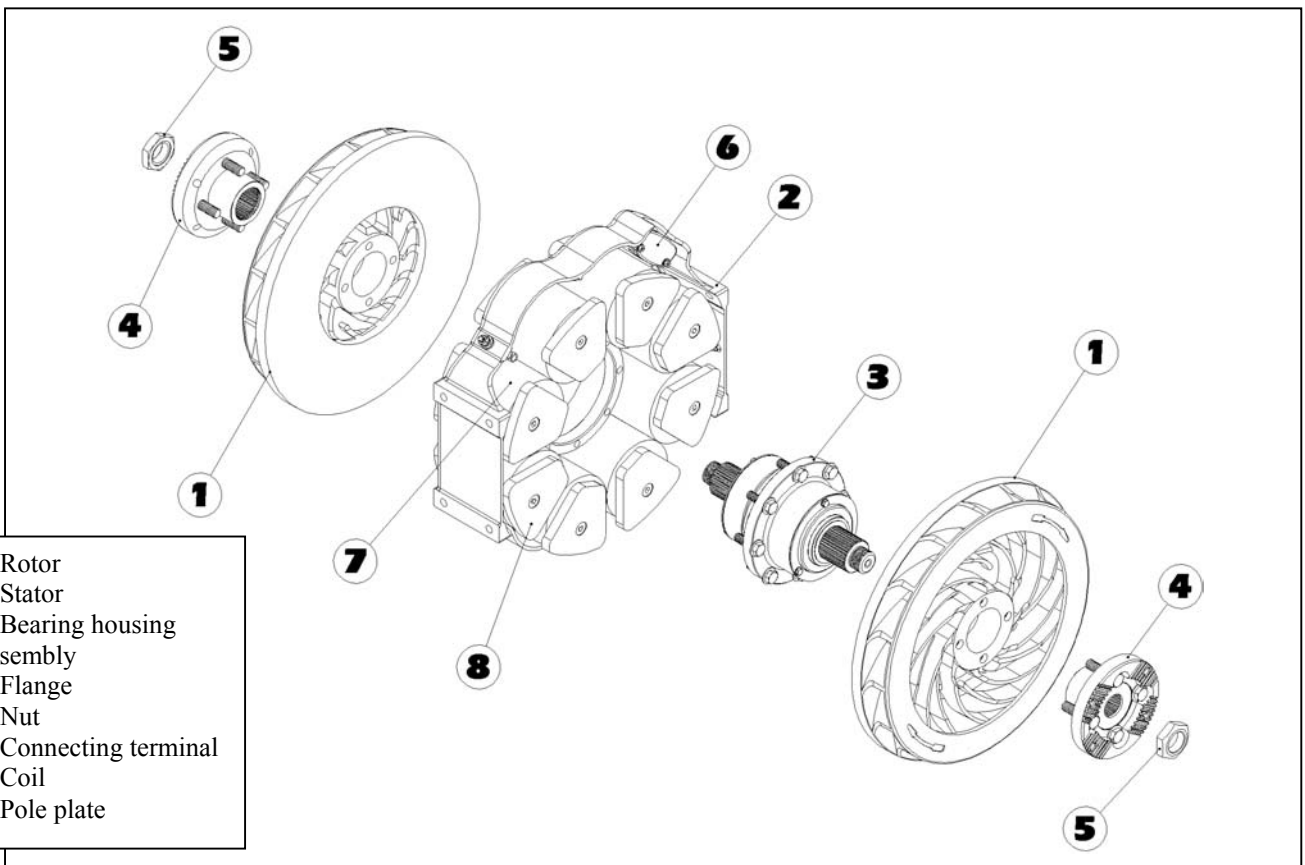
Produced by Industrias Zelu

CFK-140 MODEL DIMENSIONS

• DIMENSIONS (mm)



• MAIN COMPONENTS





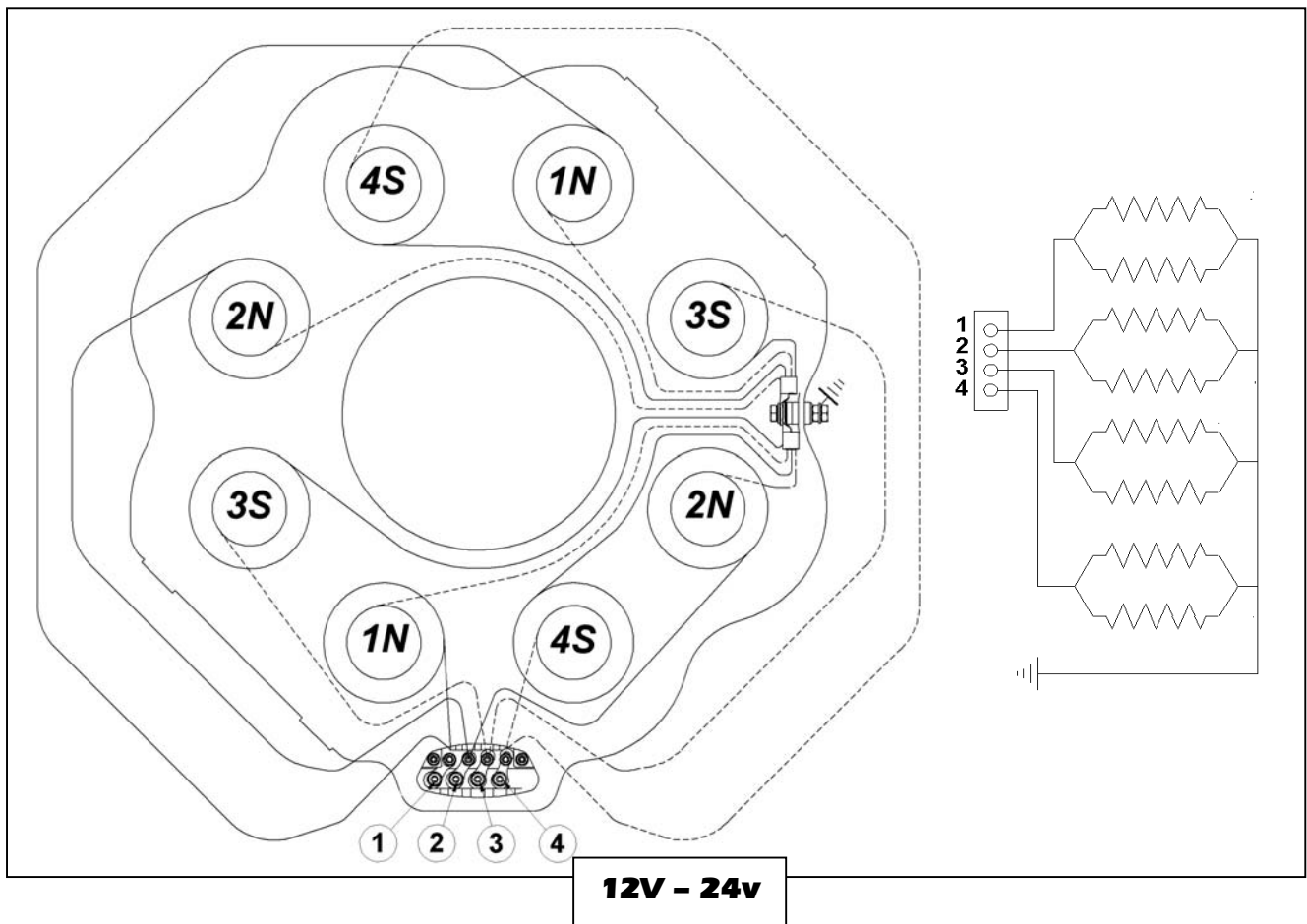
Produced by Industrias Zelu

CFK-140 MODEL ELECTRICAL SPECIFICATIONS

• ELECTRICAL SPECIFICATIONS

Voltage (depending on vehicle equipment)	12 V	24 V
Resistance per circuit (Ω) $\pm 5\%$ (20°C)	0.26	0.68
Resistance per coil (Ω) $\pm 5\%$ (20°C)	0.53	1.36
Consumption per circuit (A) $\pm 5\%$ (20°C)	45	35
Insulation resistance (M Ω)	1	

• INTERNAL WIRING DIAGRAM



Wiring of 12 and 24 VDC version is equal, only the coil is different



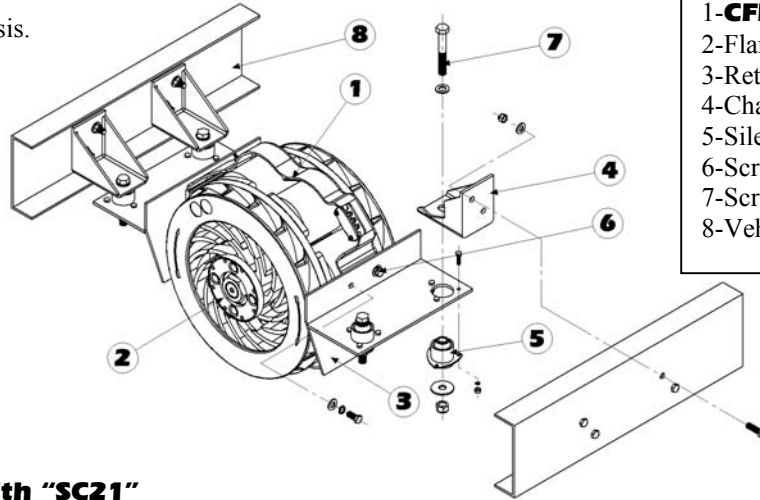
Produced by Industrias Zelu

CFK-140 MODEL BRACKET OPTION

Internal brackets with "CO"

Silentblock.

Usually used in wide chassis.



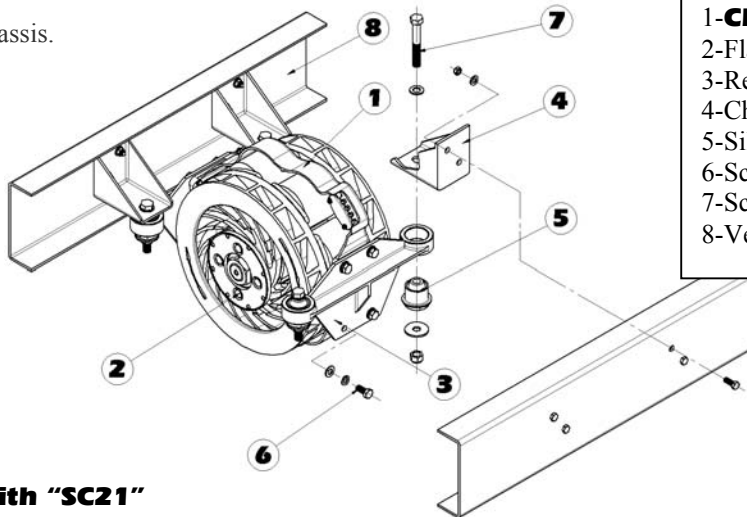
1-CFK-140.

- 2-Flange.
- 3-Retarder bracket (2 uni.)
- 4-Chassis bracket (4 uni.)
- 5-Silentblock "CO" (4 uni.)
- 6-Screw M14 120 Nm \pm 5%
- 7-Screw M18 325 Nm \pm 5%
- 8-Vehicle chassis.

Internal brackets with "SC21"

Silentblock.

Usually used in narrow chassis.



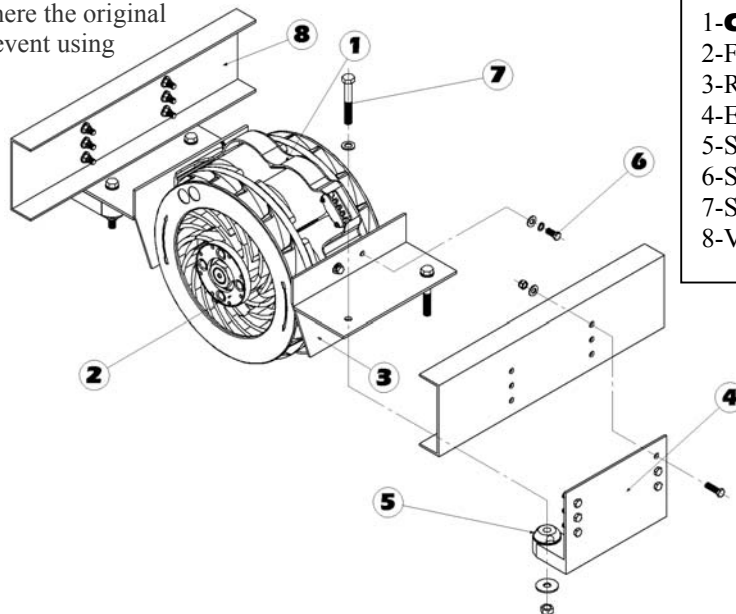
1-CFK-140.

- 2-Flange.
- 3-Retarder bracket (2 uni.)
- 4-Chassis bracket (4 uni.)
- 5-Silentblock "SC21" (4 uni.)
- 6-Screw M14 120 Nm \pm 5%
- 7-Screw M18 325 Nm \pm 5%
- 8-Vehicle chassis.

External brackets with "SC21"

Silentblock.

Usually used in chassis where the original elements of the vehicle prevent using the previous mentioned.



1-CFK-140.

- 2-Flange.
- 3-Retarder bracket (2 uni.)
- 4-External Chassis bracket (2 uni.)
- 5-Silentblock "SC21" (4 uni.)
- 6-Screw M14 120 Nm \pm 5%
- 7-Screw M18 325 Nm \pm 5%
- 8-Vehicle chassis.



Produced by Industrias Zelu

INDUSTRIAS ZELU S.L.

Ctra. de Irún Km 6,5
31194 ARRE (Navarra) SPAIN

☎ ++ 34 - 948 33 11 01 ☆ **FAX** ++ 34 - 948 33 11 51

e-mail: industrias@zelusl.com
Visit our Website: www.zelusl.com

This space is reserved for our dealers