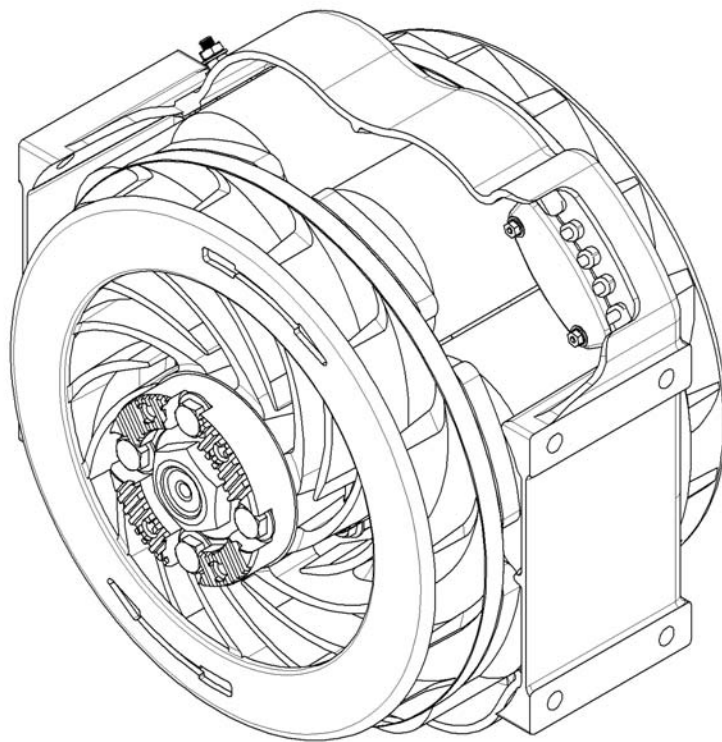




Produced by Industrias Zelu

## **CFK-90 MODEL TECHNICAL SPECIFICATIONS**



# **DRIVELINE RETARDER**

# **CFK-90**



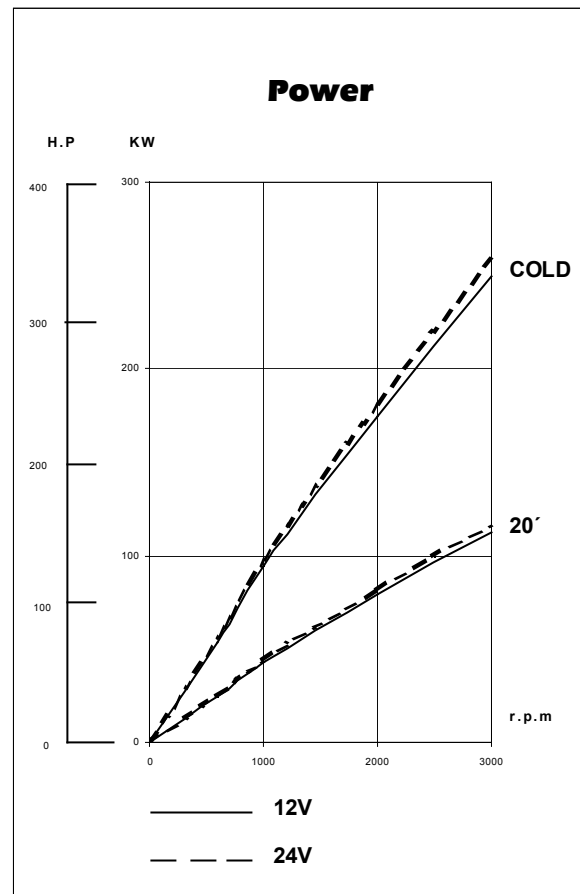
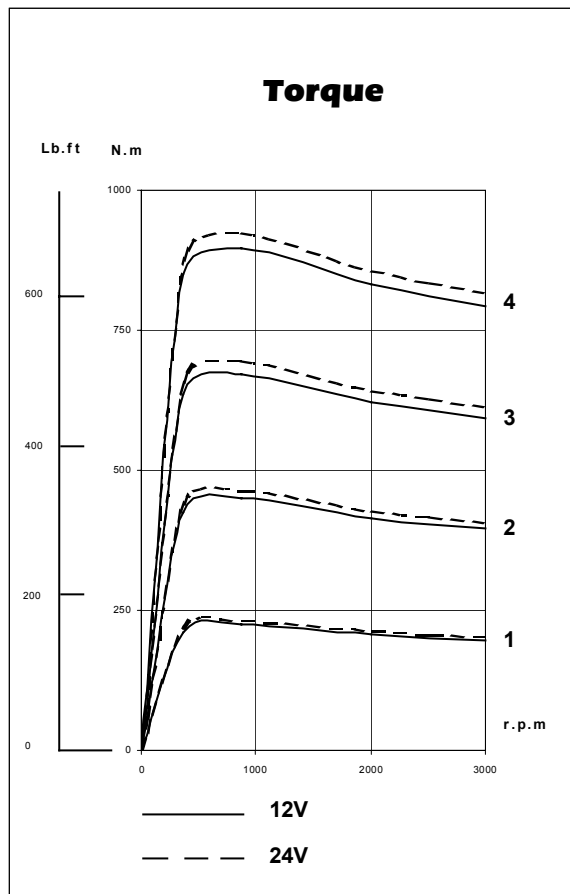
Produced by Industrias Zelu

# CFK-90 MODEL TECHNICAL SPECIFICATIONS

## • SPECIFICATIONS

Application Range (GVW) (t / lb)		<b>6,5 – 10 / 14300 - 22000</b>
Maximum braking torque	12V	<b>900 Nm / 686 Lb-Ft</b>
	24V	<b>930 Nm / 664 Lb-Ft</b>
WEIGHT (no brackets)	Complete	<b>130 Kg / 286 Lb</b>
	Stator	<b>94 Kg / 207 Lb</b>
	Rotors	<b>36 Kg / 80 Lb</b>
Rotors Inertia (Kgm <sup>2</sup> )		<b>0.98 Kgm<sup>2</sup> / 23 Lb-Ft<sup>2</sup></b>
Maximum transmissible torque (Nm)		<b>10000 Nm / 7380 Lb-Ft</b>
Max. admissible R.P.M. (min <sup>-1</sup> )	Constant	<b>4000</b>
	Periodic	<b>5300</b>
Air-gap regulation (±0.1 mm / ±0.0039 inch)		<b>1 mm / 0.0394 inch</b>

## • PERFORMANCE CURVES

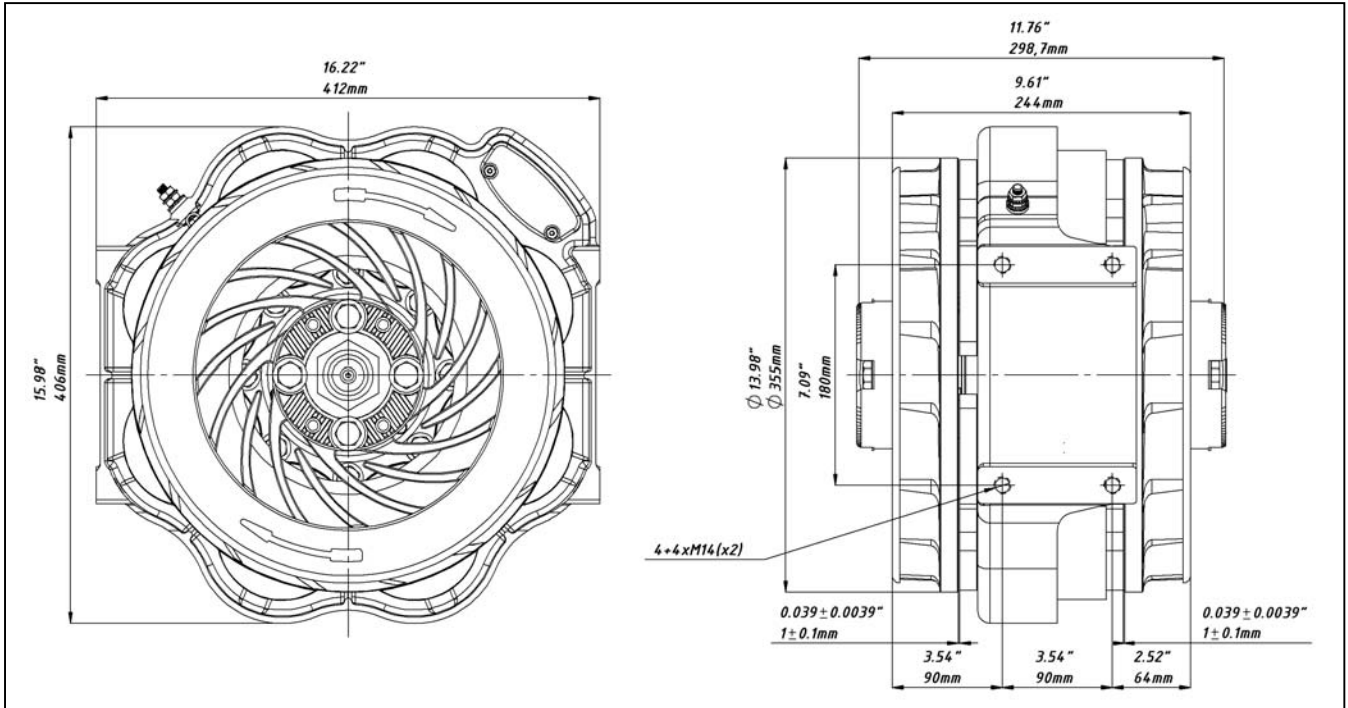




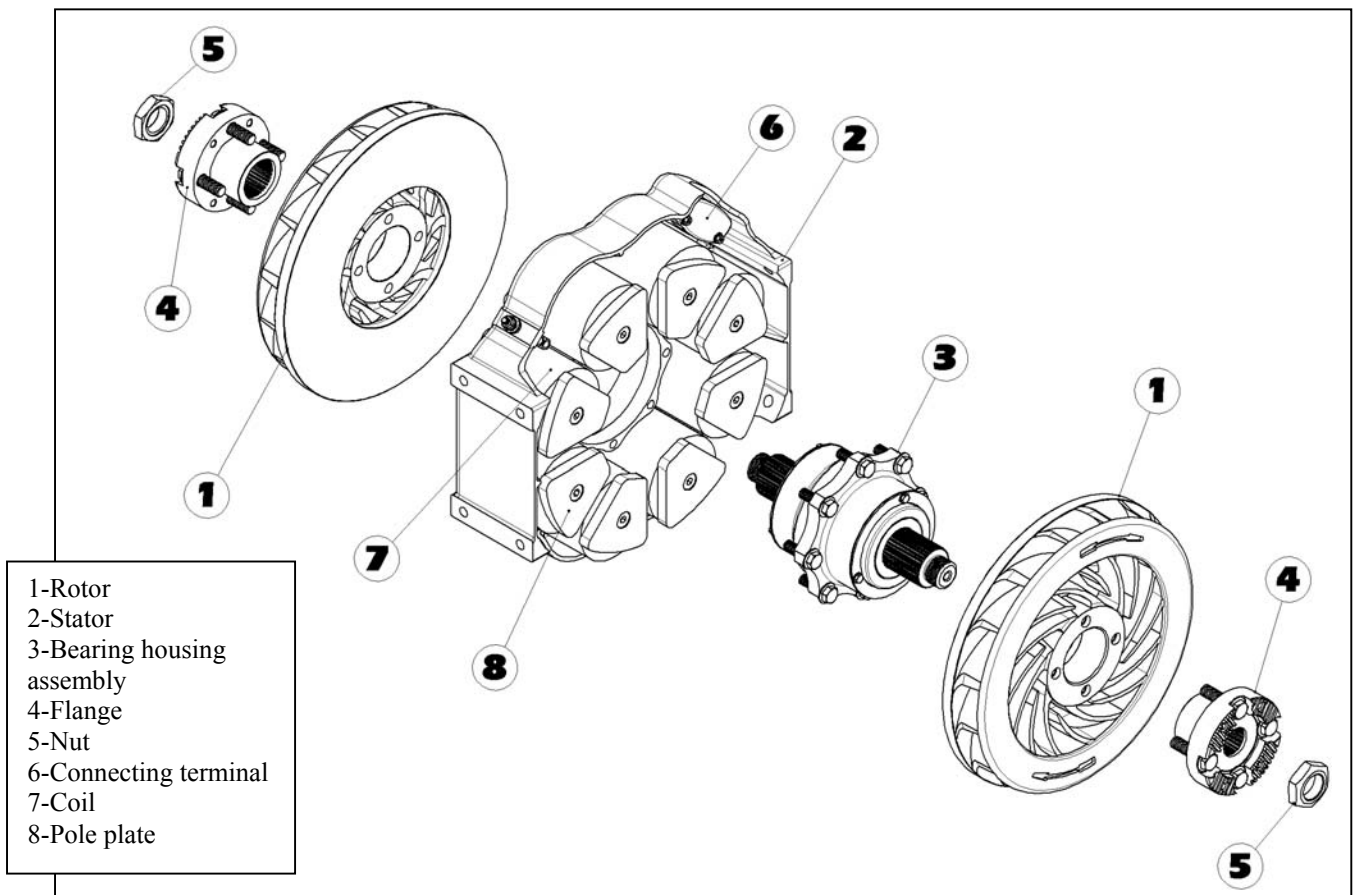
Produced by Industrias Zelu

## CFK-90 MODEL DIMENSIONS

### • DIMENSIONS



### • MAIN COMPONENTS





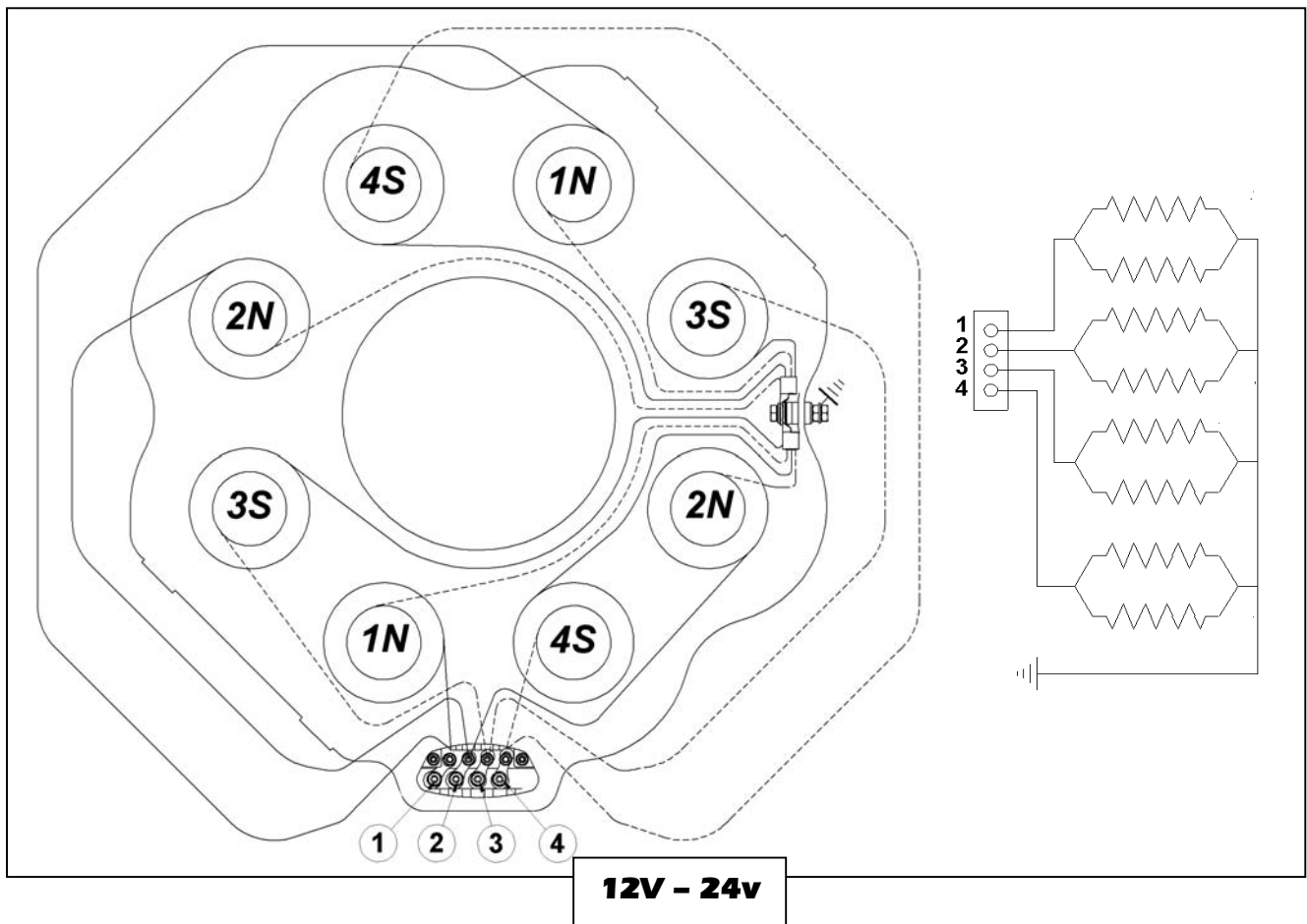
Produced by Industrias Zelu

## CFK-90 MODEL ELECTRICAL SPECIFICATIONS

### • ELECTRICAL SPECIFICATIONS

Voltage (depending on vehicle equipment)	12 V	24 V
Resistance per circuit ( $\Omega$ ) $\pm 5\%$ (20°C)	0.27	1
Resistance per coil ( $\Omega$ ) $\pm 5\%$ (20°C)	0.54	2
Consumption per circuit (A) $\pm 5\%$ (20°C)	43	24
Insulation resistance (M $\Omega$ )	1	

### • INTERNAL WIRING DIAGRAM



Wiring of 12 and 24 VDC version is equal, only the coil is different



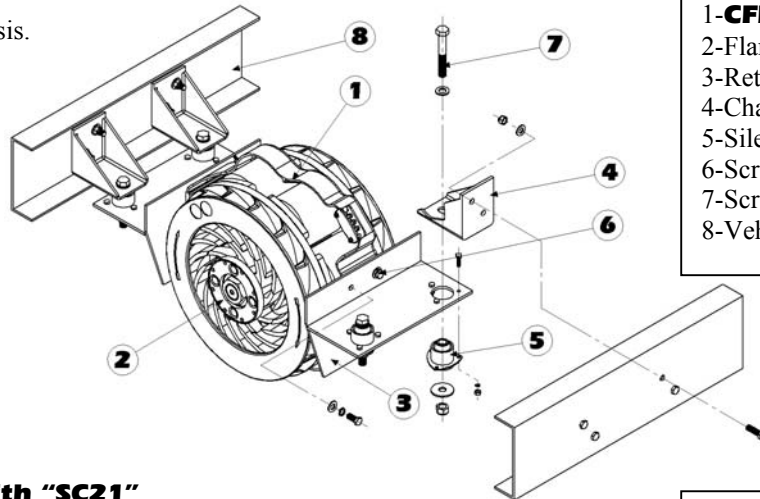
Produced by Industrias Zelu

## CFK-90 MODEL BRACKET OPTION

### Internal brackets with "CO"

#### Silentblock.

Usually used in wide chassis.



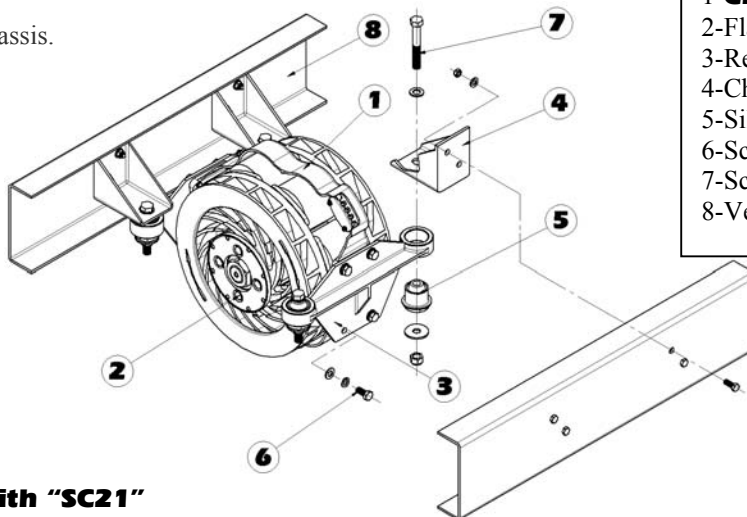
#### 1-CFK-90.

- 2-Flange.
- 3-Retarder bracket (2 uni.)
- 4-Chassis bracket (4 uni.)
- 5-Silentblock "CO" (4 uni.)
- 6-Screw M14 120 Nm  $\pm$ 5%
- 7-Screw M18(x1.5) 290 Nm  $\pm$ 5%
- 8-Vehicle chassis.

### Internal brackets with "SC21"

#### Silentblock.

Usually used in narrow chassis.



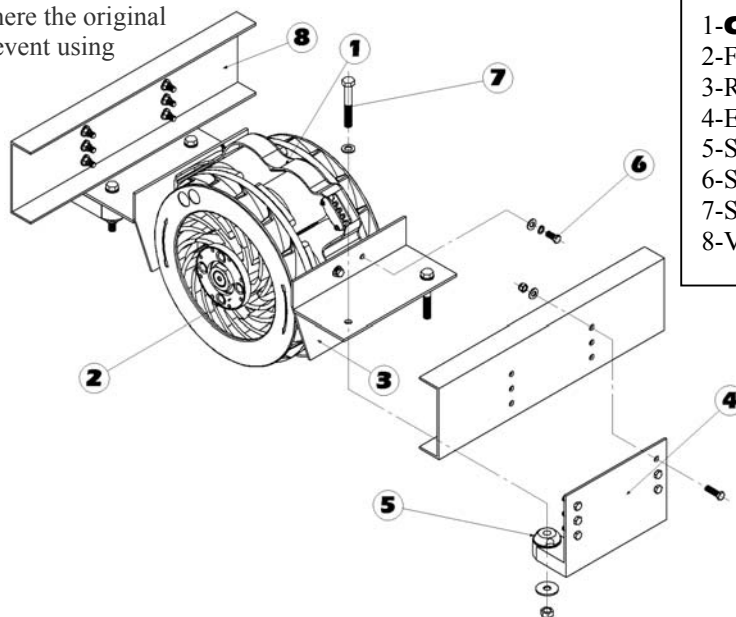
#### 1-CFK-90.

- 2-Flange.
- 3-Retarder bracket (2 uni.)
- 4-Chassis bracket (4 uni.)
- 5-Silentblock "SC21" (4 uni.)
- 6-Screw M14 120 Nm  $\pm$ 5%
- 7-Screw M18(x1.5) 290 Nm  $\pm$ 5%
- 8-Vehicle chassis.

### External brackets with "SC21"

#### Silentblock.

Usually used in chassis where the original elements of the vehicle prevent using the previous mentioned.



#### 1-CFK-90.

- 2-Flange.
- 3-Retarder bracket (2 uni.)
- 4-External Chassis bracket (2 uni.)
- 5-Silentblock "SC21" (4 uni.)
- 6-Screw M14 120 Nm  $\pm$ 5%
- 7-Screw M18(x1.5) 290 Nm  $\pm$ 5%
- 8-Vehicle chassis.



Produced by Industrias Zelu

# **INDUSTRIAS ZELU S.L.**

Ctra. de Irún Km 6,5  
31194 ARRE (Navarra) SPAIN

☎ ++ 34 - 948 33 11 01 ☆ **FAX** ++ 34 - 948 33 11 51

e-mail: [industrias@zelusl.com](mailto:industrias@zelusl.com)  
Visit our Website: [www.zelusl.com](http://www.zelusl.com)

This space is reserved for our dealers