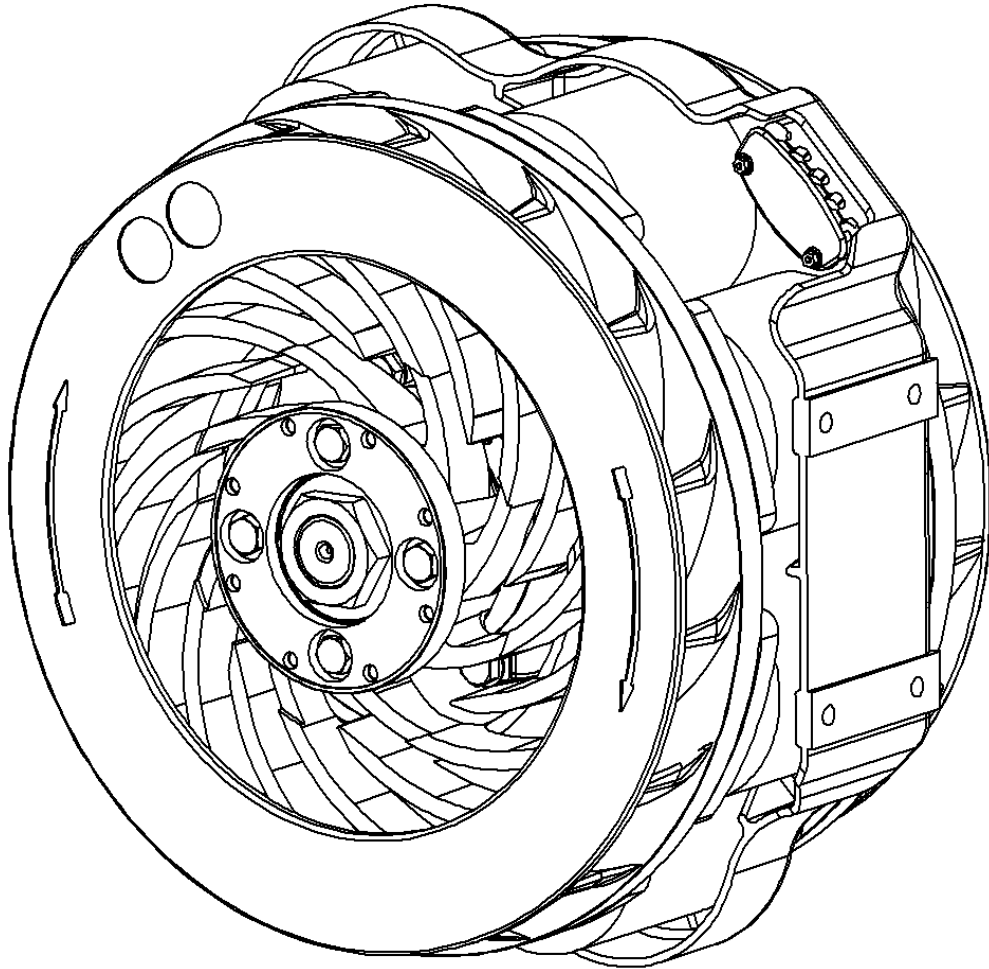




Produced by Industrias Zelu

## **CFK-360 MODEL TECHNICAL SPECIFICATIONS**



# **DRIVELINE RETARDER**

# **CFK-360**



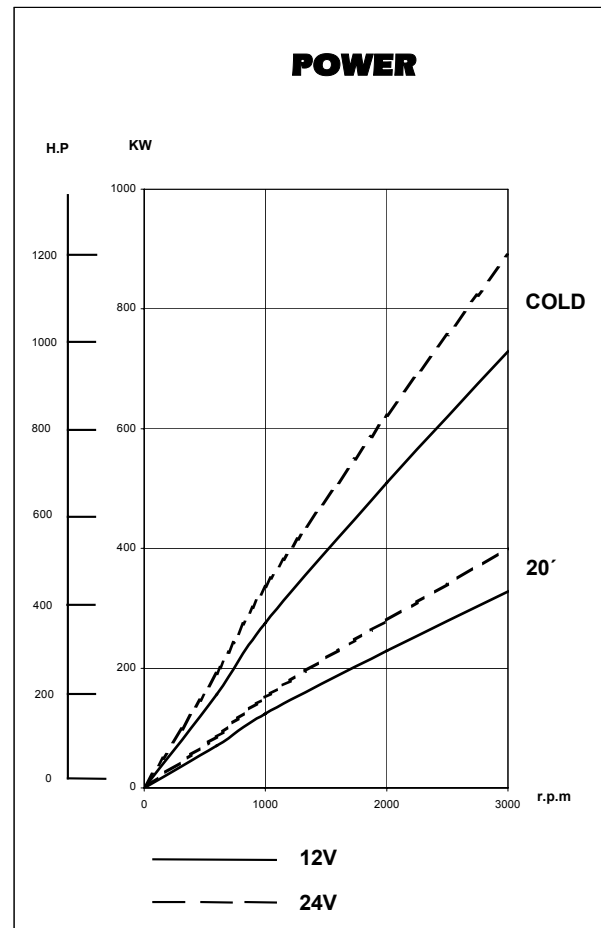
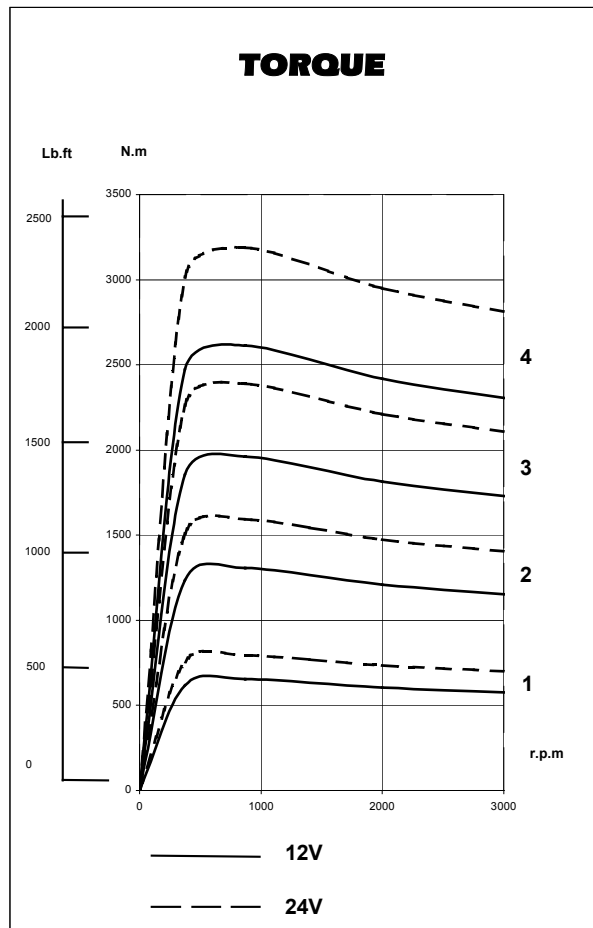
Produced by Industrias Zelu

# CFK-360 MODEL TECHNICAL SPECIFICATIONS

## • SPECIFICATIONS

Application Range (GVW) (t / lb)		24 – 44 / 52900 - 97000
Maximum braking torque	12V	2605 Nm / 1922 lb-ft
	24V	3180 Nm / 2347 lb-ft
WEIGHT (no brackets)	Complete	337 Kg / 743 lb
	Stator	229 Kg / 505 lb
	Rotors	108 Kg / 238 lb
Rotors Inertia		4.65 Kgm <sup>2</sup> / 110 lb-ft <sup>2</sup>
Maximum transmissible torque		31600 Nm / 23321 lb-ft
Max. admissible R.P.M. (min <sup>-1</sup> )	Constant	2600
	Periodic	3600
Air-gap regulation (±0.1 mm / ±0.0039 inch. )		1.4 mm / 0.0551 inch

## • PERFORMANCE CURVES

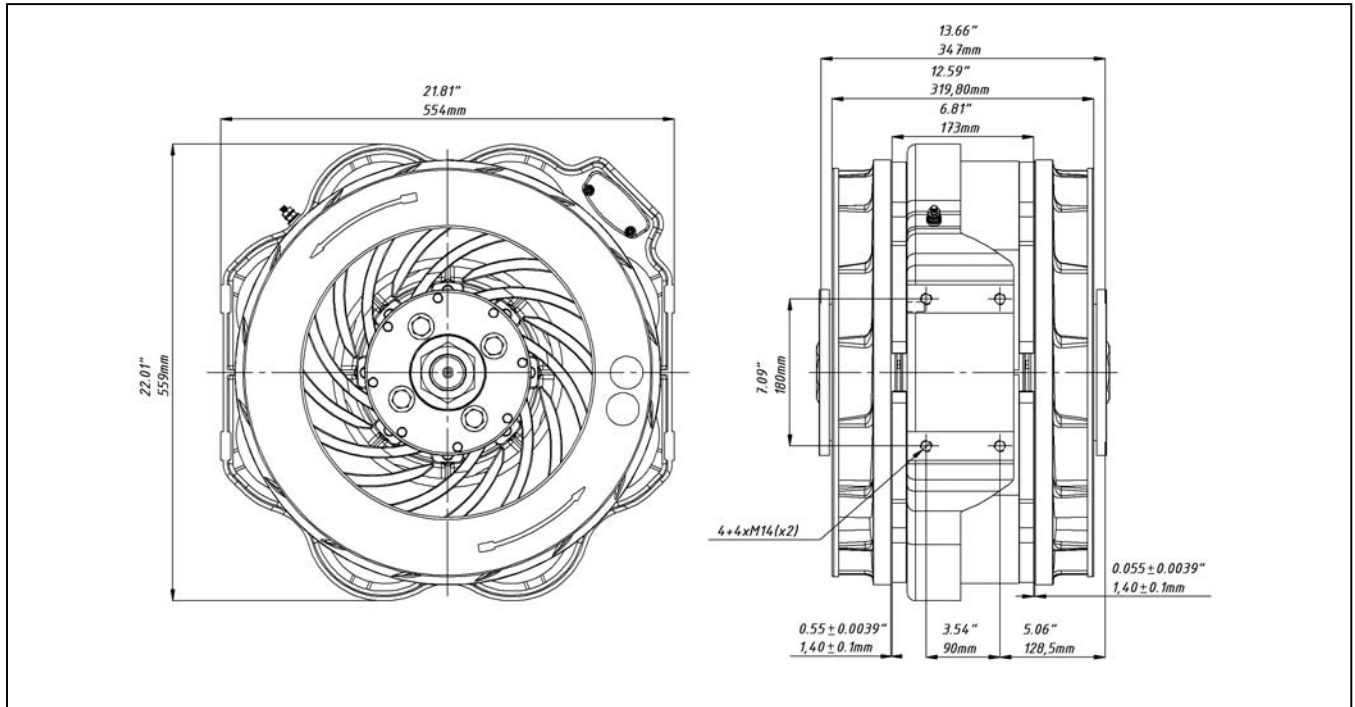




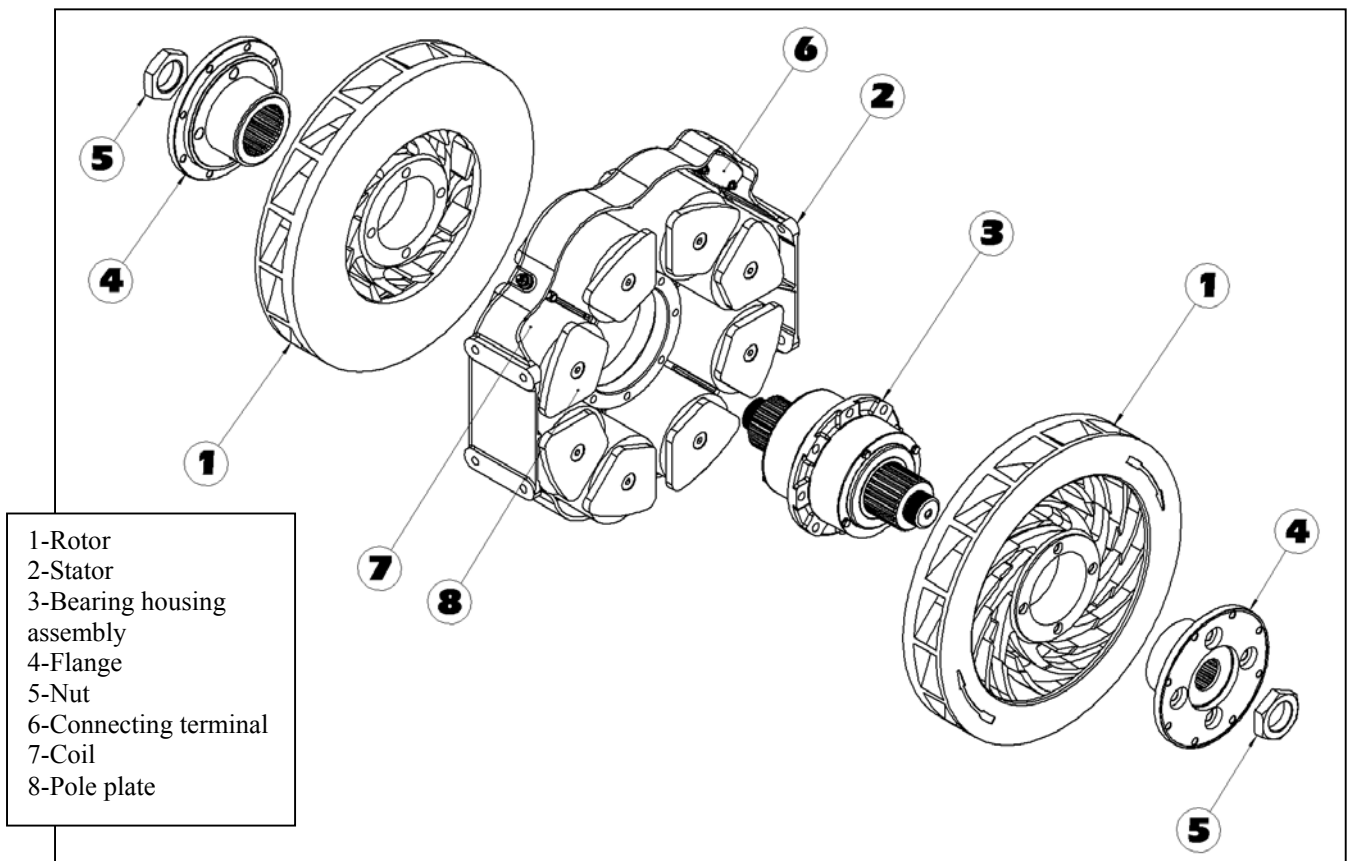
Produced by Industrias Zelu

# CFK-360 MODEL DIMENSIONS

## • DIMENSIONS



## • MAIN COMPONENTS





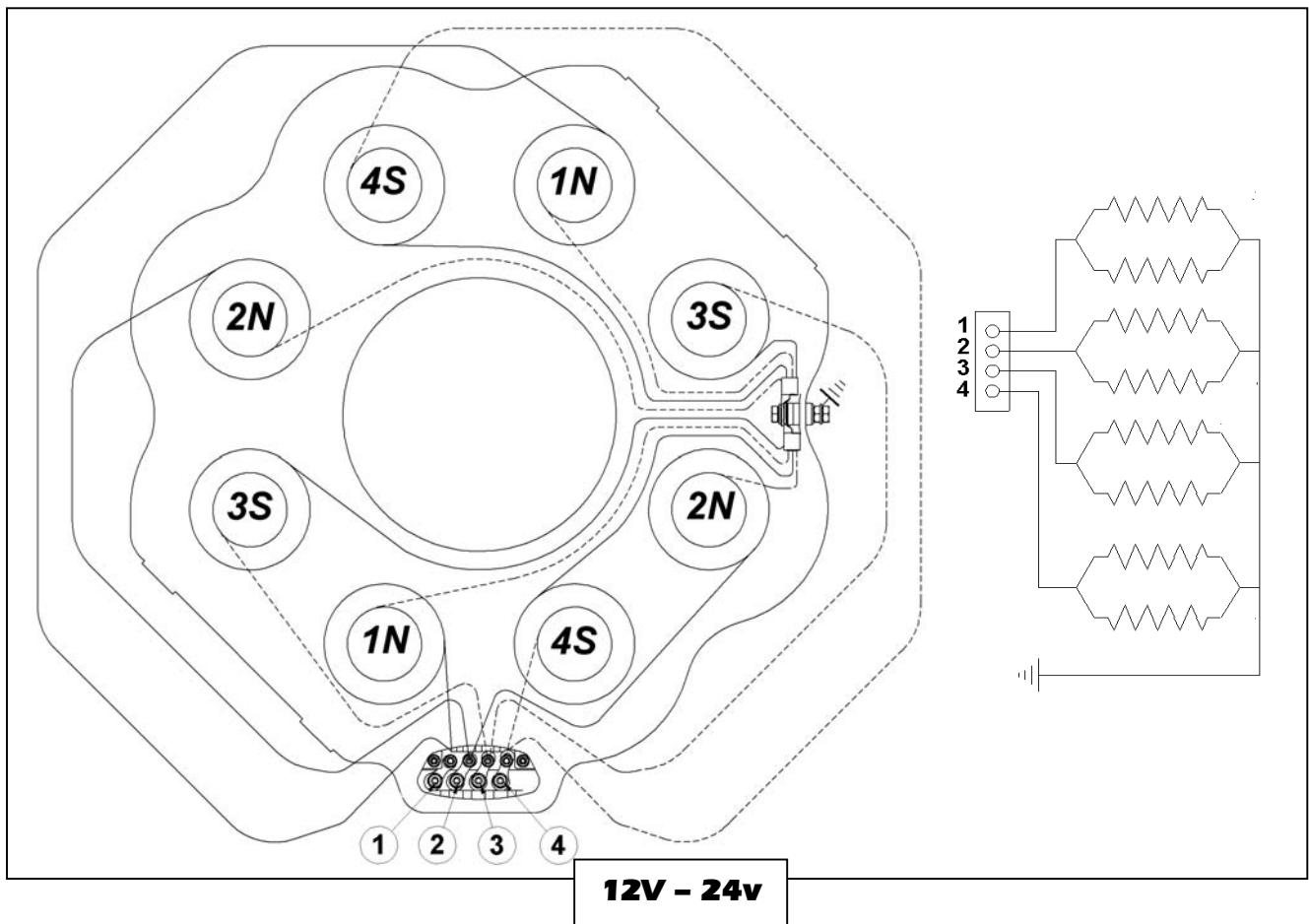
Produced by Industrias Zelu

## CFK-360 MODEL ELECTRICAL SPECIFICATIONS

### • ELECTRICAL SPECIFICATIONS

Voltage (depending on vehicle equipment)	12V	24 V
Resistance per circuit ( $\Omega$ ) $\pm 5\%$ (20°C)	0.2	0.63
Resistance per coil ( $\Omega$ ) $\pm 5\%$ (20°C)	0.4	1.26
Consumption per circuit (A) $\pm 5\%$ (20°C)	60	38
Insulation resistance (M $\Omega$ )	1	

### • INTERNAL WIRING DIAGRAM



Wiring of 12 and 24 VDC version is equal, only the coil is different



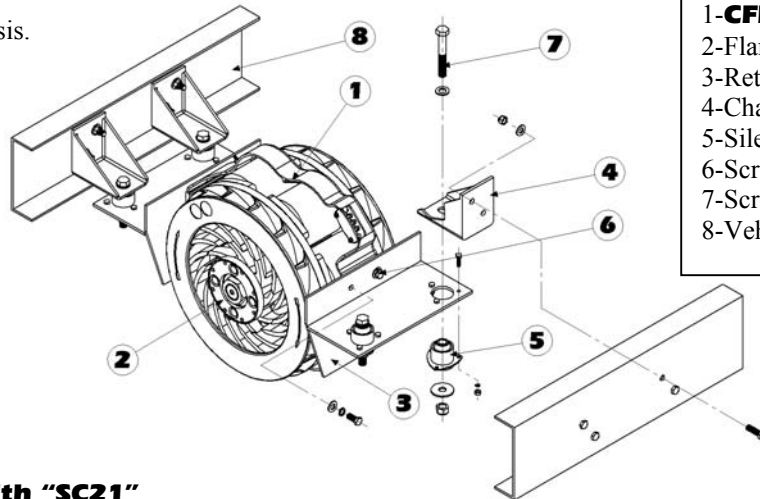
Produced by Industrias Zelu

## CFK-360 MODEL BRACKET OPTION

### Internal brackets with "CO"

#### Silentblock.

Usually used in wide chassis.



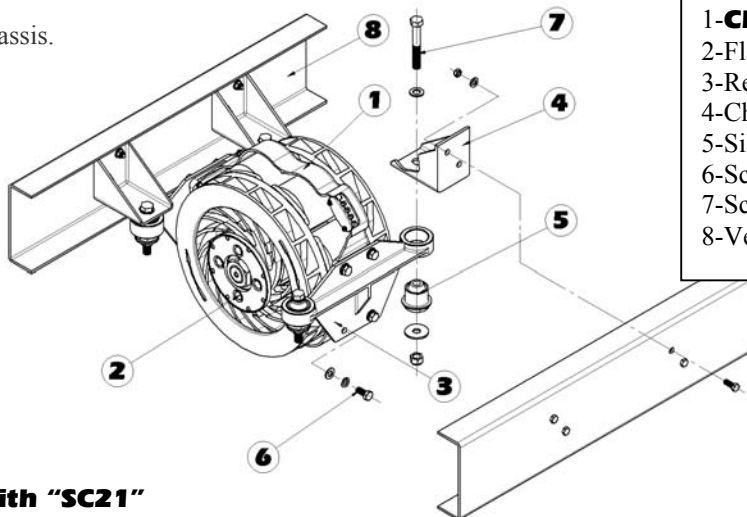
#### 1-CFK-360.

- 2-Flange.
- 3-Retarder bracket (2 uni.)
- 4-Chassis bracket (4 uni.)
- 5-Silentblock "CO" (4 uni.)
- 6-Screw M14 120 Nm  $\pm 5\%$
- 7-Screw M18(x1.5) 290 Nm  $\pm 5\%$
- 8-Vehicle chassis.

### Internal brackets with "SC21"

#### Silentblock.

Usually used in narrow chassis.



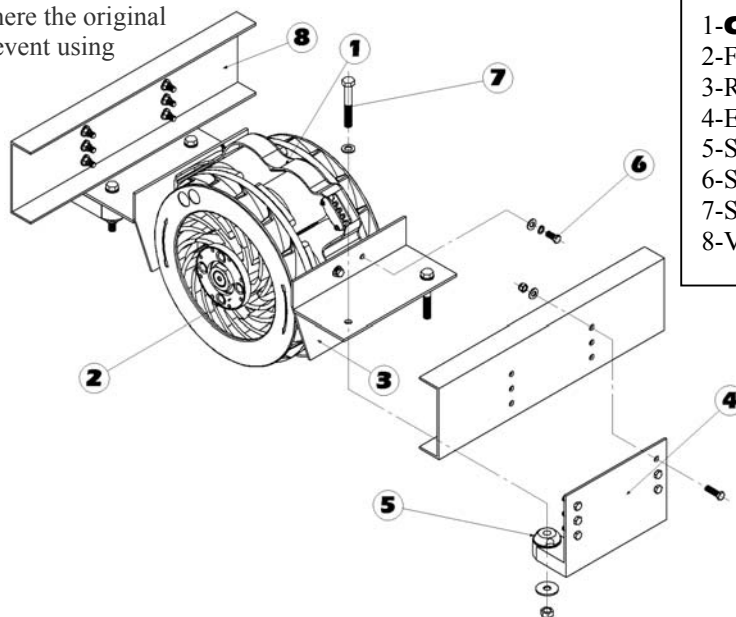
#### 1-CFK-360.

- 2-Flange.
- 3-Retarder bracket (2 uni.)
- 4-Chassis bracket (4 uni.)
- 5-Silentblock "SC21" (4 uni.)
- 6-Screw M14 120 Nm  $\pm 5\%$
- 7-Screw M18(x1.5) 290 Nm  $\pm 5\%$
- 8-Vehicle chassis.

### External brackets with "SC21"

#### Silentblock.

Usually used in chassis where the original elements of the vehicle prevent using the previous mentioned.



#### 1-CFK-360.

- 2-Flange.
- 3-Retarder bracket (2 uni.)
- 4-External Chassis bracket (2 uni.)
- 5-Silentblock "SC21" (4 uni.)
- 6-Screw M14 120 Nm  $\pm 5\%$
- 7-Screw M18(x1.5) 290 Nm  $\pm 5\%$
- 8-Vehicle chassis.



Produced by Industrias Zelu

# **INDUSTRIAS ZELU S.L.**

Ctra. de Irún Km 6,5  
31194 ARRE (Navarra) SPAIN

☎ ++ 34 - 948 33 11 01 ☆ FAX ++ 34 - 948 33 11 51

e-mail: [industrias@zelusl.com](mailto:industrias@zelusl.com)  
Visit our Website: [www.zelusl.com](http://www.zelusl.com)

This space is reserved for our dealers