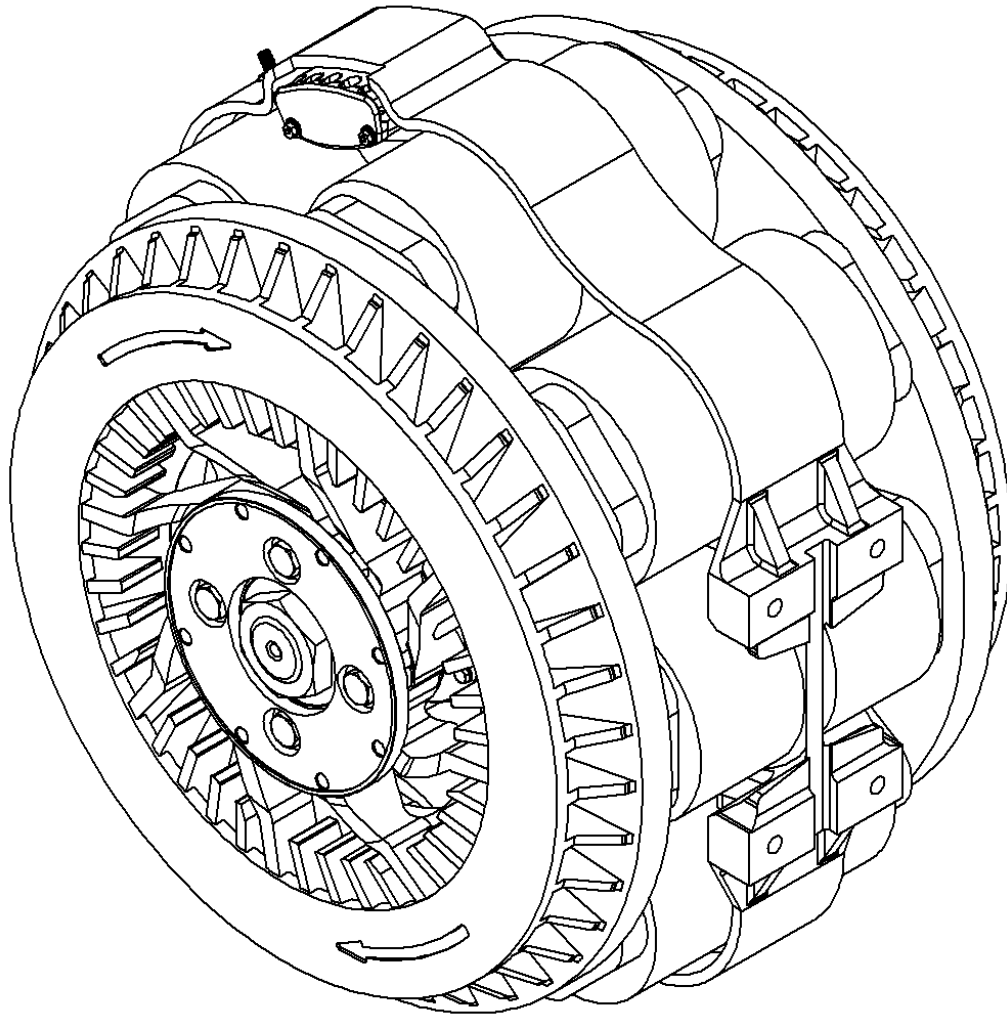




Produced by Industrias Zelu

## CFK-500 MODEL TECHNICAL SPECIFICATIONS



# DRIVELINE RETARDER CFK-500



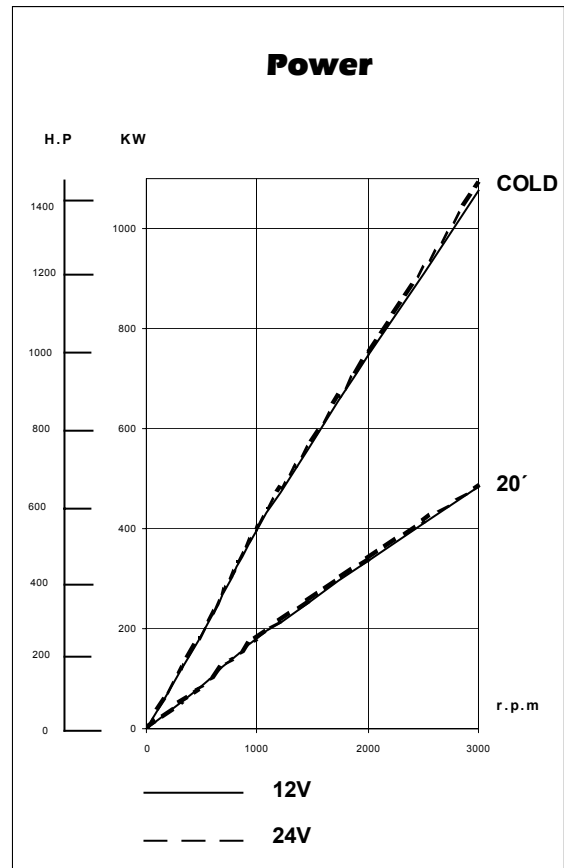
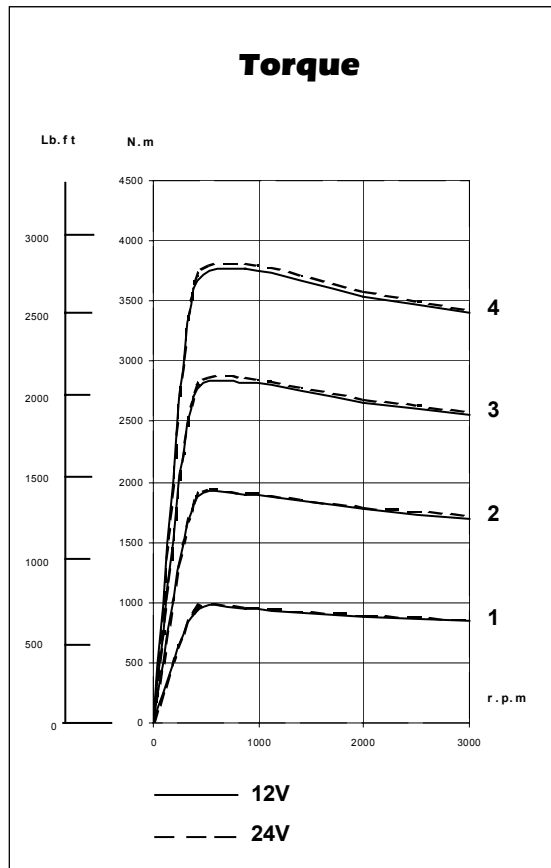
Produced by Industrias Zelu

# CFK-500 MODEL TECHNICAL SPECIFICATIONS

## • SPECIFICATIONS

Application Range (GVW) (t / lb)		+ 44 / up to 97000
Maximum braking torque	12V	3775 Nm / 2786 lb-ft
	24V	3820 Nm / 2819 lb-ft
WEIGHT (no brackets)	Complete	455 Kg / 1003 lb
	Stator	329 Kg / 725 lb
	Rotors	126 Kg / 278 lb
Rotors Inertia		4.74 Kgm <sup>2</sup> / 113 lb-ft <sup>2</sup>
Maximum transmissible torque (Nm)		31600 Nm / 23331 lb-ft
Max. admissible R.P.M. (min <sup>-1</sup> )	Constant	2600
	Periodic	3600
Air-gap regulation (±0.1 mm / ±0.0039 inch)		1.4 mm / 0.0551 inch

## • PERFORMANCE CURVES

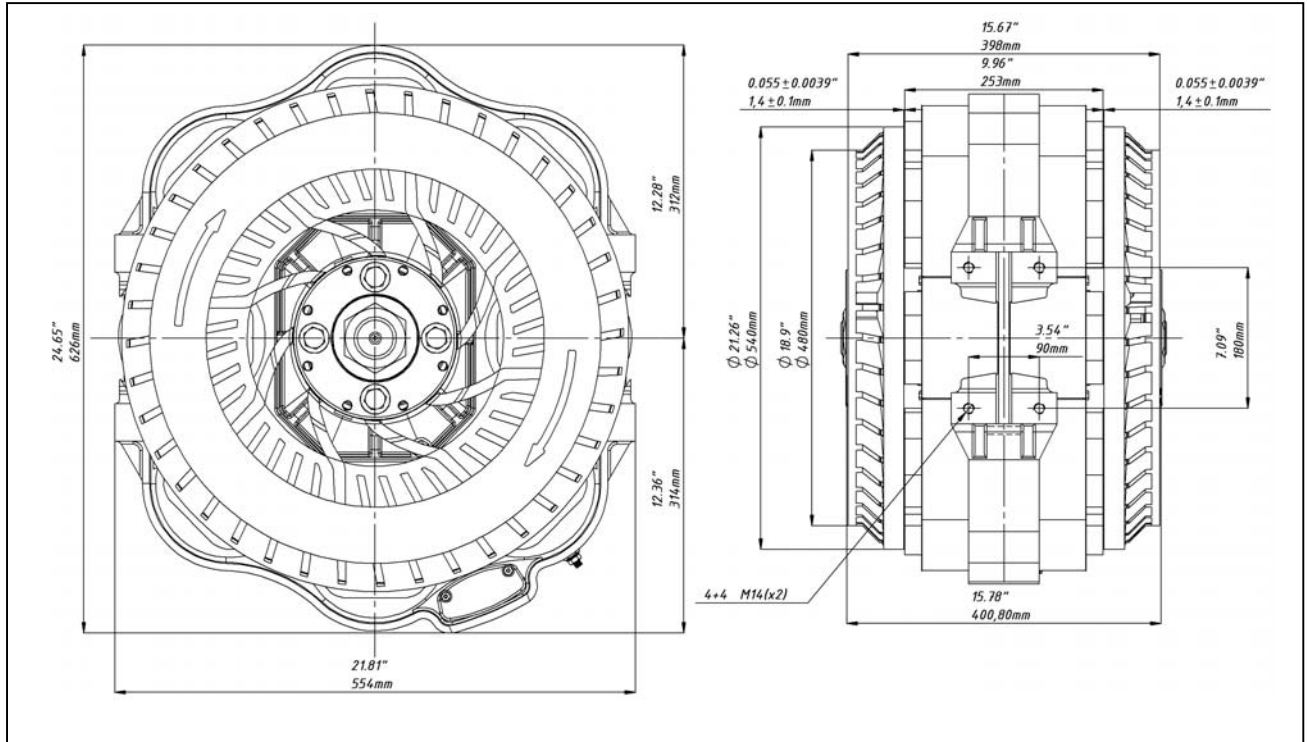




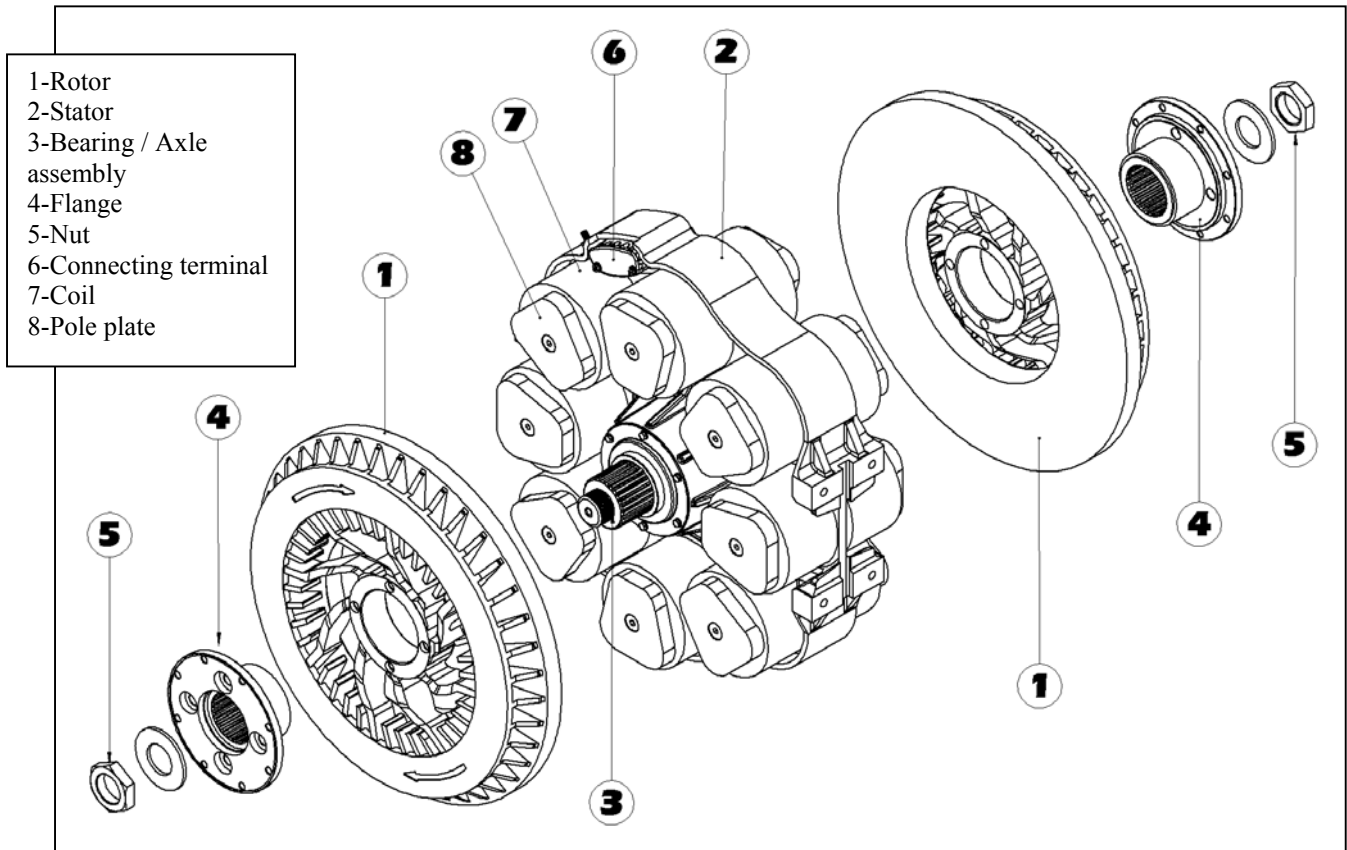
Produced by Industrias Zelu

# CFK-500 MODEL DIMENSIONS

## • DIMENSIONS



## • MAIN COMPONENTS





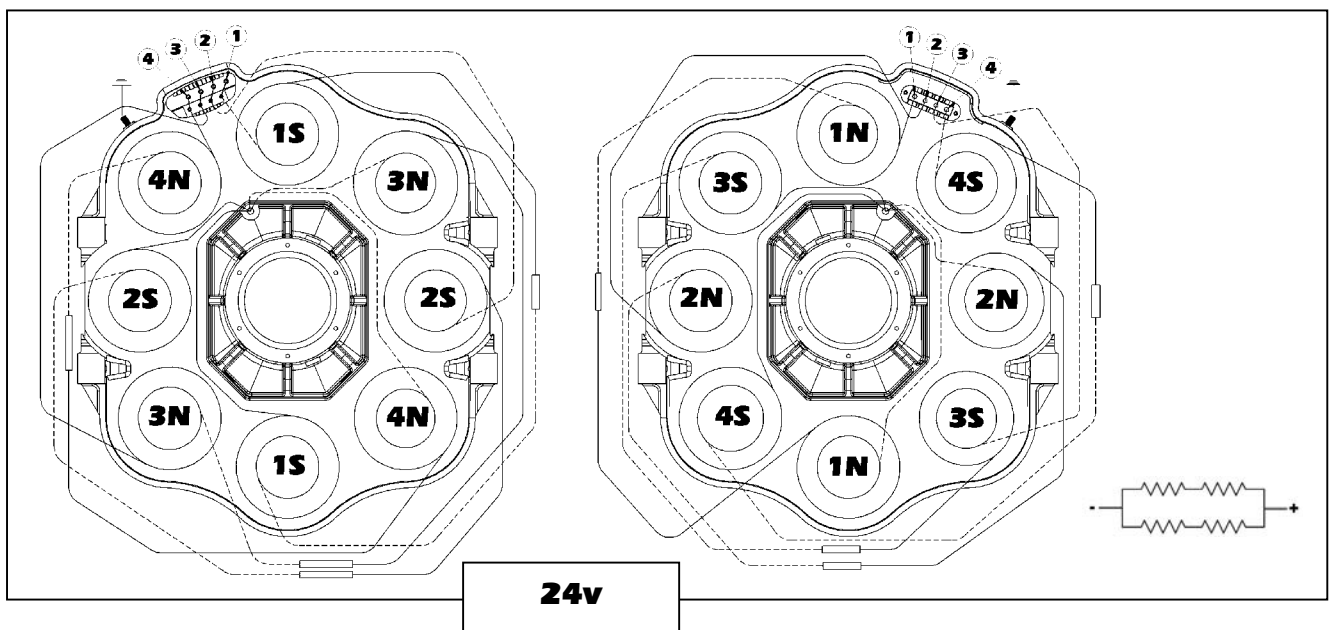
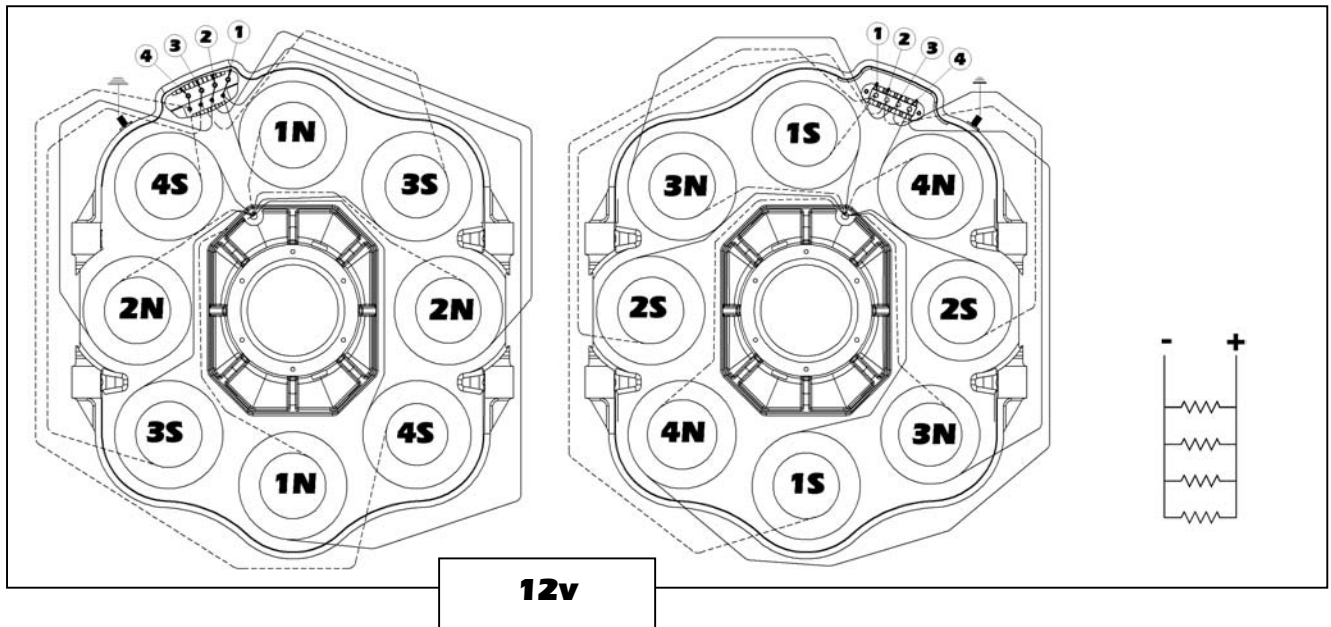
Produced by Industrias Zelu

# CFK-500 MODEL ELECTRICAL SPECIFICATIONS

## • ELECTRICAL SPECIFICATIONS

Voltage (depending on vehicle equipment)	12 V	24 V
Resistance per circuit ( $\Omega$ ) $\pm 5\%$ (20°C)	0.26	0.6
Resistance per coil ( $\Omega$ ) $\pm 5\%$ (20°C)	1.06	0.6
Consumption per circuit (A) $\pm 5\%$ (20°C)	45	40
Insulation resistance (M $\Omega$ )	1	

## • INTERNAL WIRING DIAGRAM



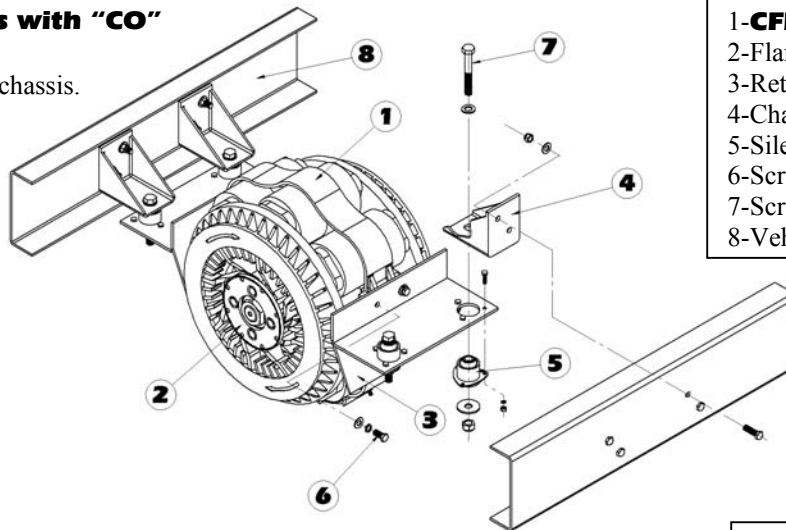


Produced by Industrias Zelu

## CFK-500 MODEL BRACKET OPTION

### Internal brackets with "CO" Silentblock.

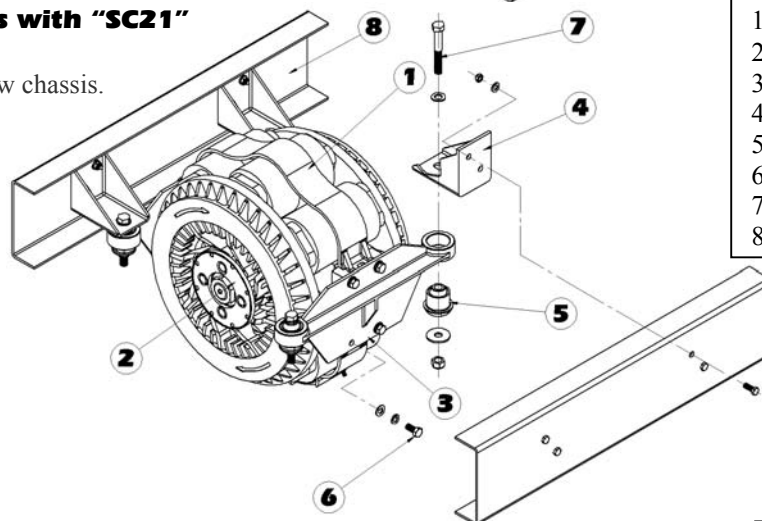
Usually used in wide chassis.



- 1-CFK-500.
- 2-Flange.
- 3-Retarder bracket (2 uni.)
- 4-Chassis bracket (4 uni.)
- 5-Silentblock "CO" (4 uni.)
- 6-Screw M14 120 Nm  $\pm$ 5%
- 7-Screw M18(x1.5) 290 Nm  $\pm$ 5%
- 8-Vehicle chassis.

### Internal brackets with "SC21" Silentblock.

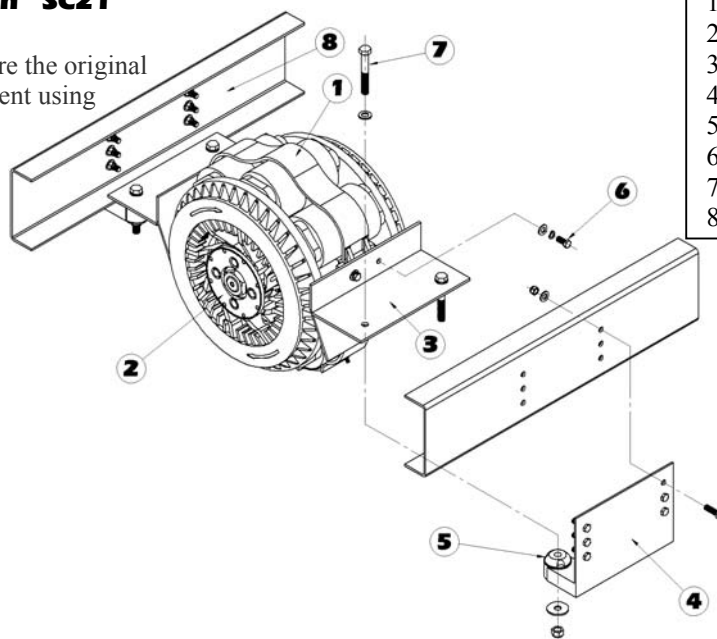
Usually used in narrow chassis.



- 1-CFK-500.
- 2-Flange.
- 3-Retarder bracket (2 uni.)
- 4-Chassis bracket (4 uni.)
- 5-Silentblock "SC21" (4 uni.)
- 6-Screw M14 120 Nm  $\pm$ 5%
- 7- Screw M18(x1.5) 290 Nm  $\pm$ 5%
- 8-Vehicle chassis.

### External brackets with "SC21" Silentblock.

Usually used in chassis where the original elements of the vehicle prevent using the previous mentioned.



- 1-CFK-500.
- 2-Flange.
- 3-Retarder bracket (2 uni.)
- 4-External Chassis bracket (2 uni.)
- 5-Silentblock "SC21" (4 uni.)
- 6-Screw M14 120 Nm  $\pm$ 5%
- 7- Screw M18(x1.5) 290 Nm  $\pm$ 5%
- 8-Vehicle chassis.



Produced by Industrias Zelu

# **INDUSTRIAS ZELU S.L.**

Ctra. de Irún Km 6,5  
31194 ARRE (Navarra) SPAIN

☎ ++ 34 - 948 33 11 01 ☆ **FAX** ++ 34 - 948 33 11 51

e-mail: [industrias@zelusl.com](mailto:industrias@zelusl.com)  
Visit our Website: [www.zelusl.com](http://www.zelusl.com)

This space is reserved for our dealers