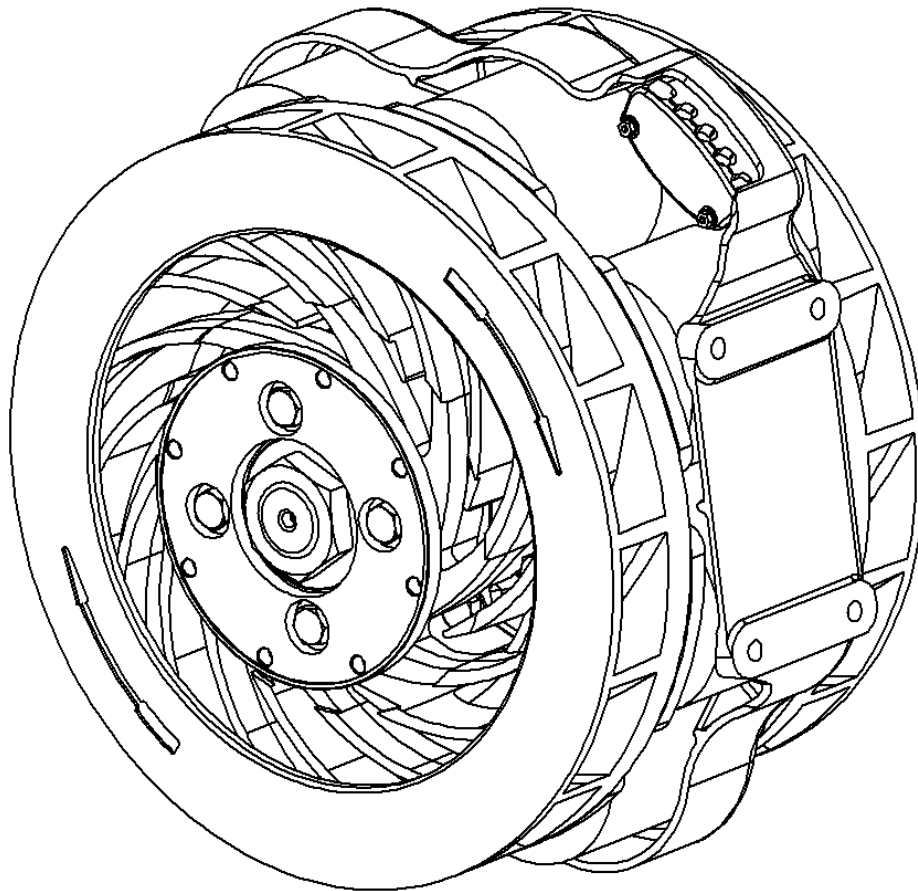




Produced by Industrias Zelu

CFK-200 MODEL TECHNICAL SPECIFICATIONS



DRIVELINE RETARDER CFK-200



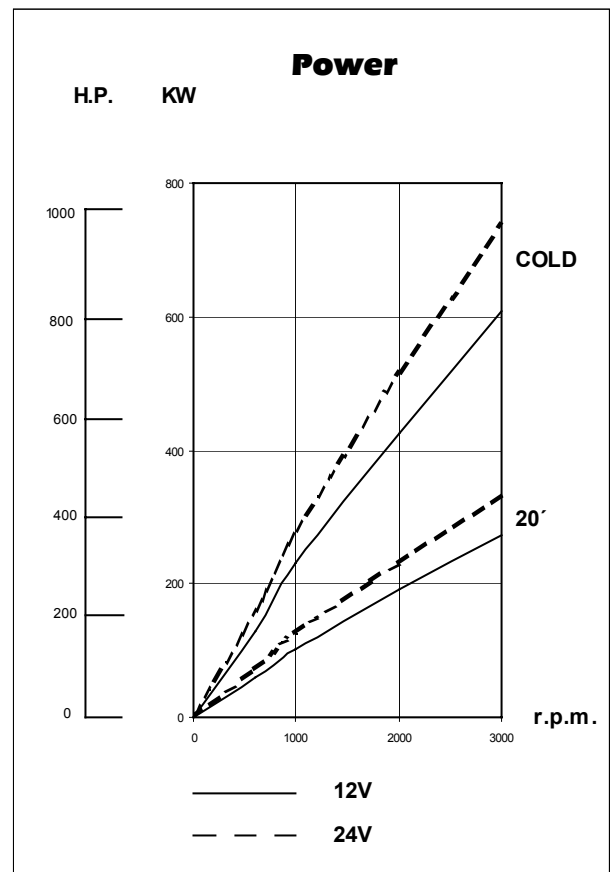
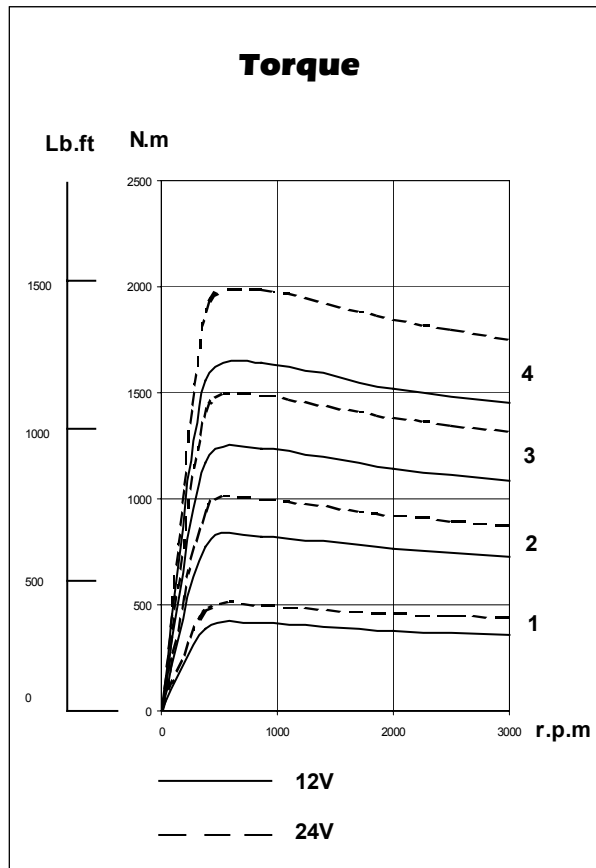
Produced by Industrias Zelu

CFK-200 MODEL TECHNICAL SPECIFICATIONS

• SPECIFICATIONS

Application Range (GVW) (t / lb)		15 – 18 / 33000 - 39500
Maximum braking torque	12V	1650 Nm / 1218 lb-ft
	24V	2000 Nm / 1476 lb-ft
WEIGHT (no brackets)	Complete	232 Kg / 511 lb
	Stator	154 Kg / 339 lb
	Rotors	78 Kg / 172 lb
Rotors Inertia		2.69 Kgm ² / 64 lb-ft ²
Maximum transmissible torque		31600 Nm / 23321 lb-ft
Max. admissible R.P.M. (min ⁻¹)	Constant	2600
	Periodic	3600
Air-gap regulation (±0.1 mm / 0.0039 inch.)		1.4 mm / 0.0551 inch.

• PERFORMANCE CURVES

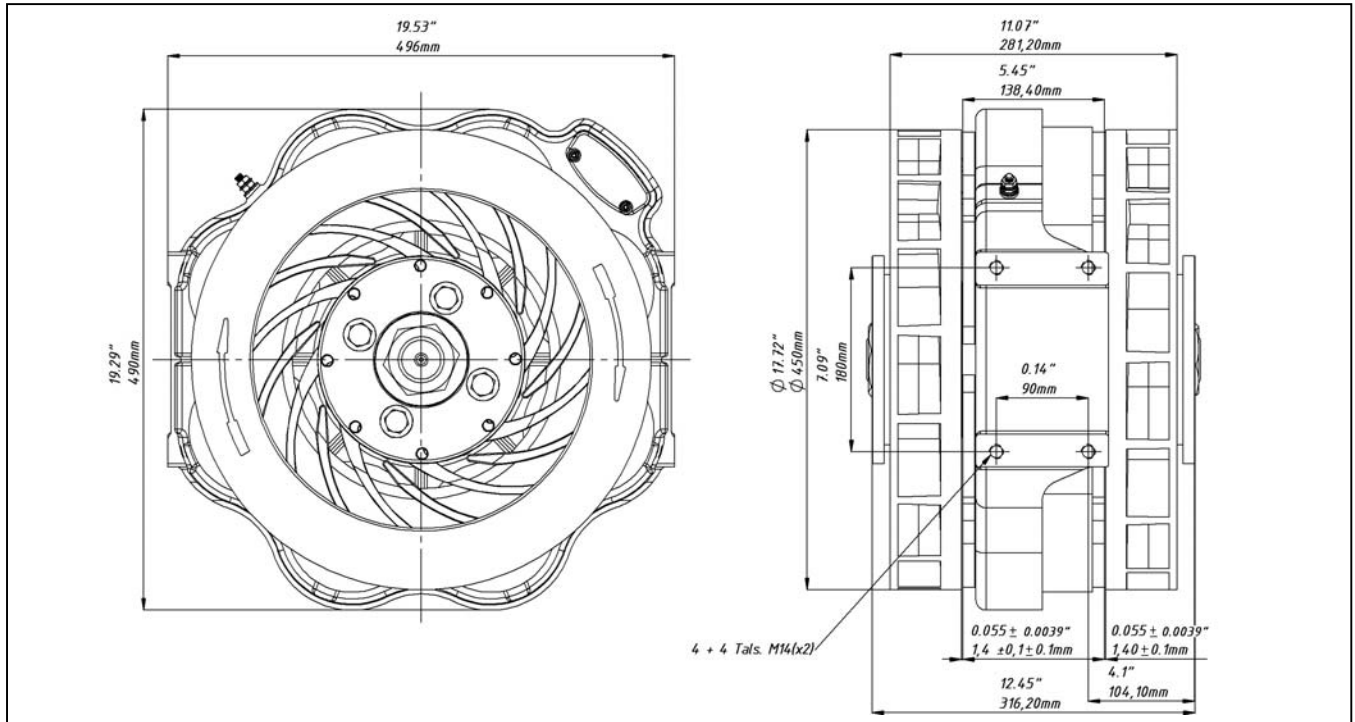




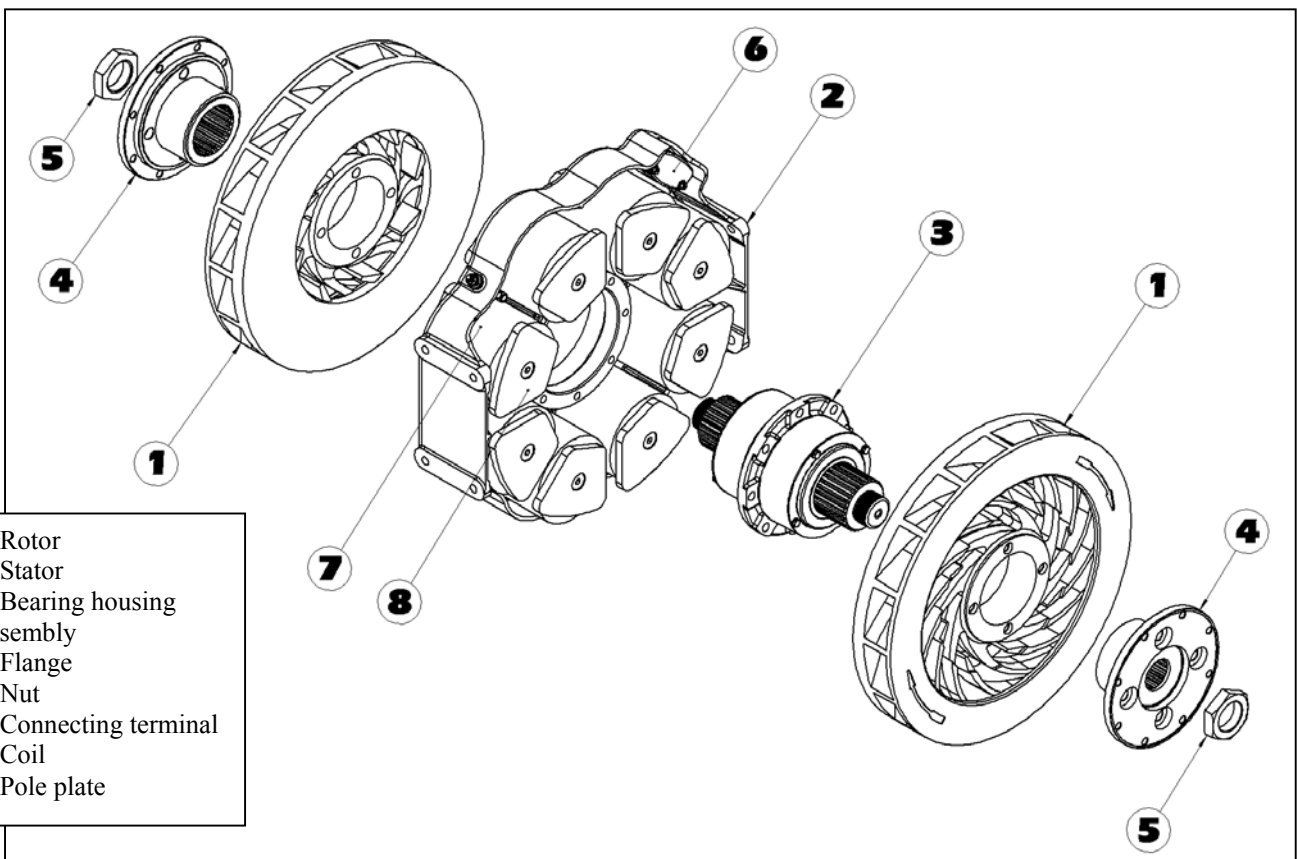
Produced by Industrias Zelu

CFK-200 MODEL DIMENSIONS

• DIMENSIONS



• MAIN COMPONENTS





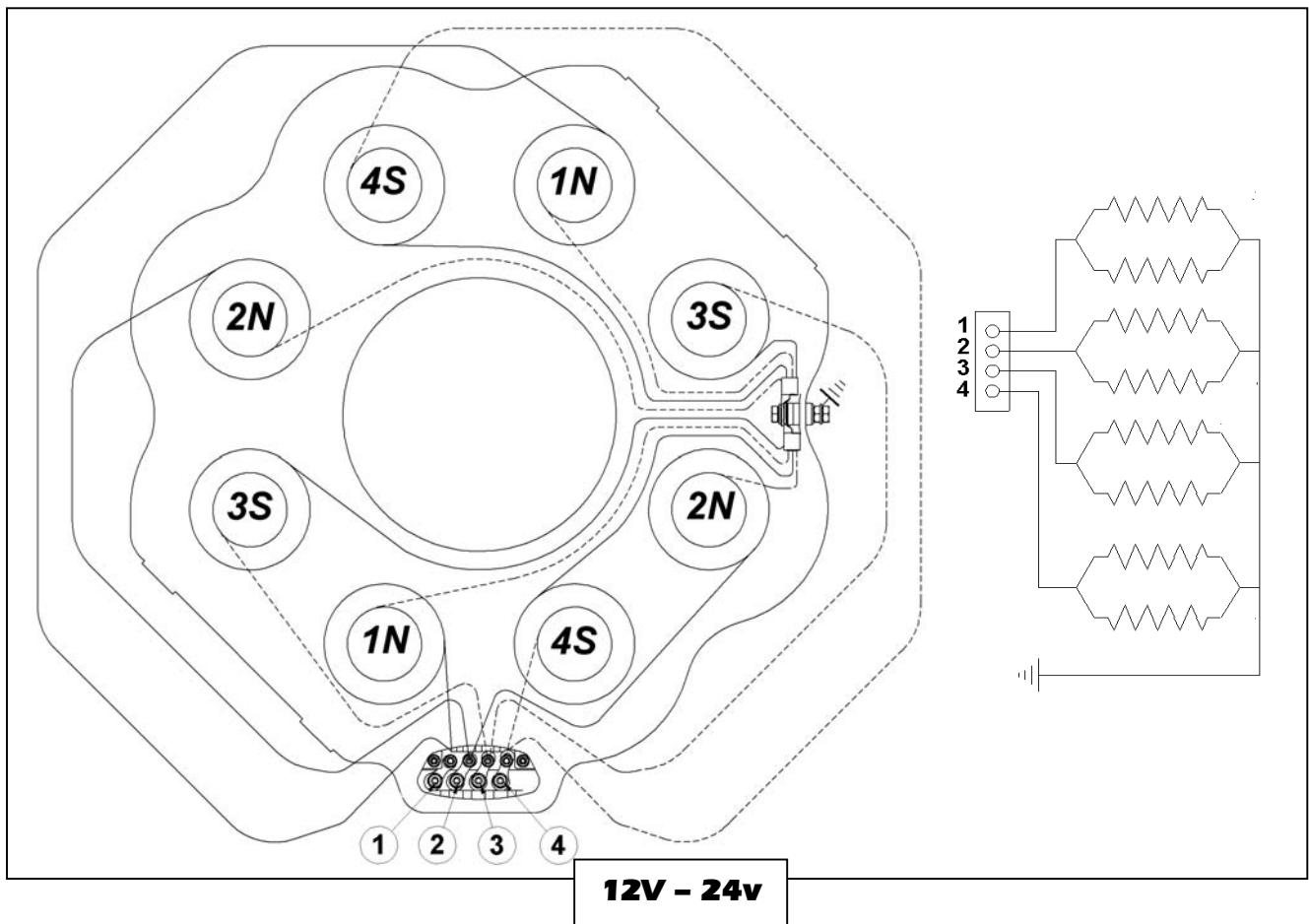
Produced by Industrias Zelu

CFK-200 MODEL ELECTRICAL SPECIFICATIONS

• ELECTRICAL SPECIFICATIONS

Voltage (depending on vehicle equipment)	12 V	24 V
Resistance per circuit (Ω) $\pm 5\%$ (20°C)	0.26	0.63
Resistance per coil (Ω) $\pm 5\%$ (20°C)	0.52	1.26
Consumption per circuit (A) $\pm 5\%$ (20°C)	46	38
Insulation resistance (M Ω)	1	

• INTERNAL WIRING DIAGRAM



Wiring of 12 and 24 VDC version is equal, only the coil is different



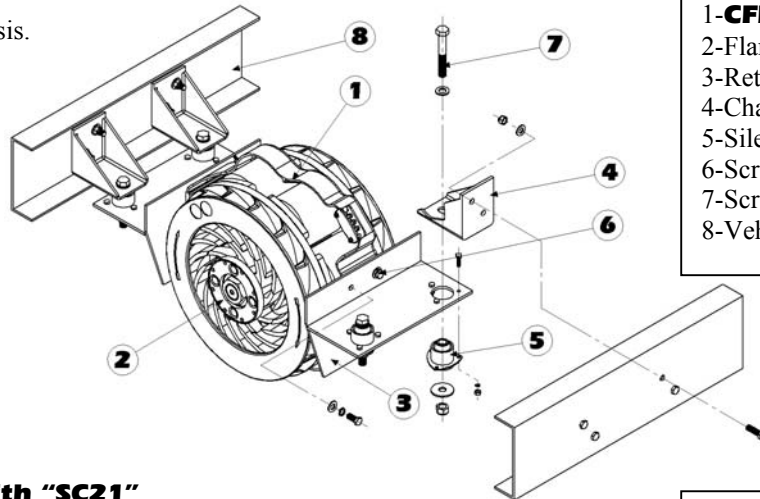
Produced by Industrias Zelu

CFK-200 MODEL BRACKET OPTION

Internal brackets with "CO"

Silentblock.

Usually used in wide chassis.



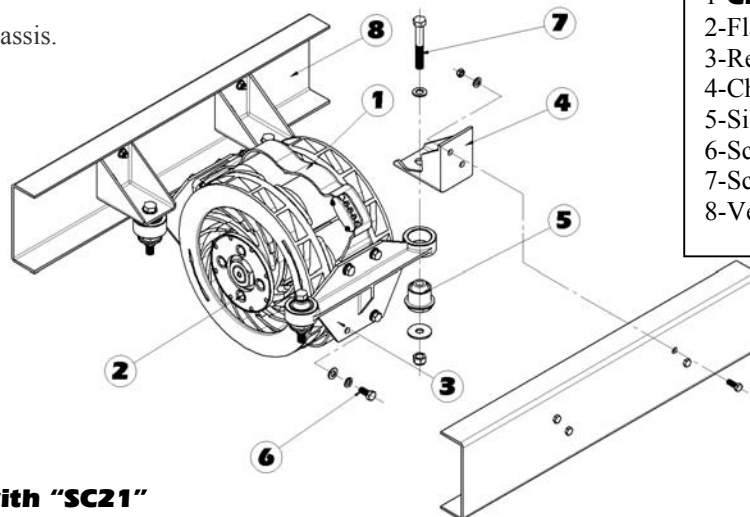
1-CFK-200.

- 2-Flange.
- 3-Retarder bracket (2 uni.)
- 4-Chassis bracket (4 uni.)
- 5-Silentblock "CO" (4 uni.)
- 6-Screw M14 120 Nm $\pm 5\%$
- 7-Screw M18(x1.5) 290 Nm $\pm 5\%$
- 8-Vehicle chassis.

Internal brackets with "SC21"

Silentblock.

Usually used in narrow chassis.



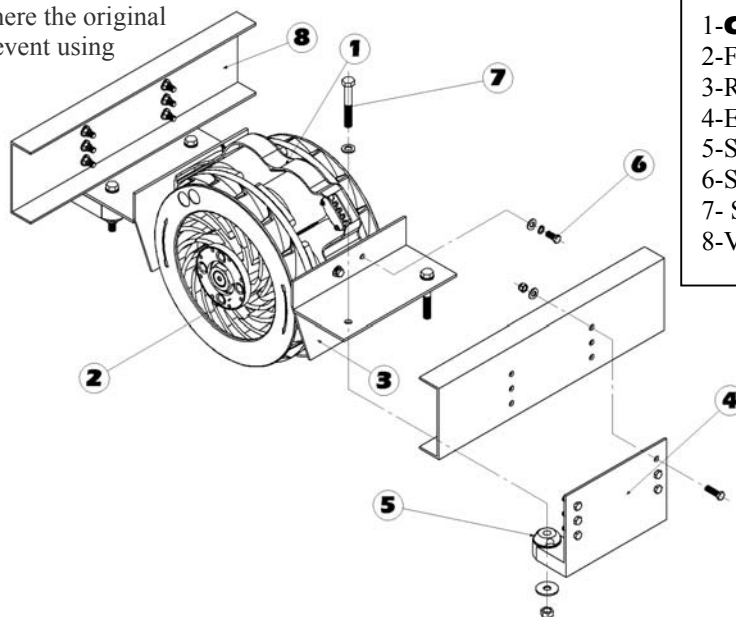
1-CFK-200.

- 2-Flange.
- 3-Retarder bracket (2 uni.)
- 4-Chassis bracket (4 uni.)
- 5-Silentblock "SC21" (4 uni.)
- 6-Screw M14 120 Nm $\pm 5\%$
- 7-Screw M18(x1.5) 290 Nm $\pm 5\%$
- 8-Vehicle chassis.

External brackets with "SC21"

Silentblock.

Usually used in chassis where the original elements of the vehicle prevent using the previous mentioned.



1-CFK-200.

- 2-Flange.
- 3-Retarder bracket (2 uni.)
- 4-External Chassis bracket (2 uni.)
- 5-Silentblock "SC21" (4 uni.)
- 6-Screw M14 120 Nm $\pm 5\%$
- 7-Screw M18(x1.5) 290 Nm $\pm 5\%$
- 8-Vehicle chassis.



Produced by Industrias Zelu

INDUSTRIAS ZELU S.L.

Ctra. de Irún Km 6,5
31194 ARRE (Navarra) SPAIN

☎ ++ 34 - 948 33 11 01 ☆ **FAX** ++ 34 - 948 33 11 51

e-mail: industrias@zelusl.com
Visit our Website: www.zelusl.com

This space is reserved for our dealers